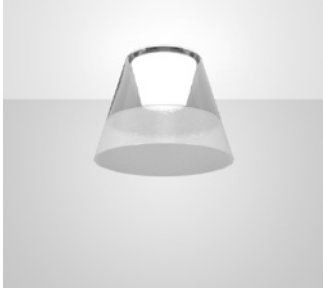


# KONE3 LARGE CLEAR LED SEMI-RECESSED LUMINAIRE

**DELRAY  
LIGHTING  
INCORPORATED**

**KONE3  
KLS34**



**TYPE:**

**PROJECT:**

**ORDER NUMBER:**

Model #	Lumens	LEDs	Dimming	Option	Voltage*
<b>KLS34</b>	<b>2-2000</b>	<b>W30</b>	<b>D9</b>	<b>EM*</b>	<b>120</b>
	<b>3-3000</b>	<b>W35</b>	<b>D11</b>		<b>277</b>
		<b>W40</b>			<b>347</b>

\*Voltage must be specified.

## HOUSING ASSEMBLY

- Pre-coated galvanized steel mounting frame and J-box.
- Telescopic bar hangers supplied, provides for off-center mounting on joists or T-bar.
- Ground wire included (prewired).

## GLASS

- Hand blown clear glass outer shade with opal glass inner downlight.

## LED DRIVERS

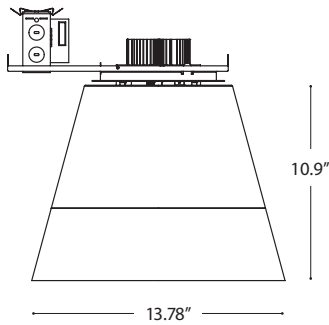
- Standard drivers are constant current, with 0-10V dimming to 1%.
- Driver housed inside canopy for easy access.
- Emergency Battery Pack (**EM**) provides 7W for 90 mins. Voltage must be specified. Red light and test switch mounts in ceiling, in single gang J-box.
- cU.L. listed for dry locations.

## LEDs

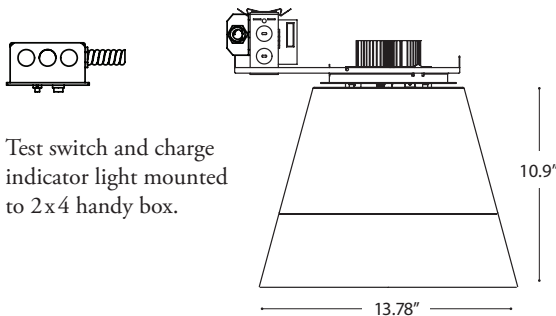
- Cree LED modules feature opal diffusers that provide the appearance of an A-lamp from below.
- Available in 21W/2000 Lumens and 31W/3000 Lumens.
- Available in three white color temperatures: **W30** (3000° K), **W35** (3500° K), and **W40** (4000° K).
- CRI = 92, R9 = 72
- Dimming available for both Lumen outputs and all color temperatures.
- 50,000 hour LED life

**KLS342** LED  
2,000 lumens

**KLS343** LED  
3,000 lumens



**EM**  
Emergency  
Battery Pack



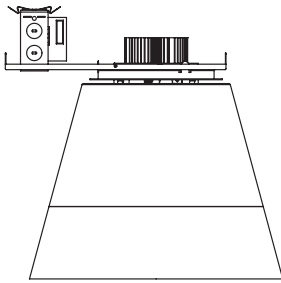
Test switch and charge indicator light mounted to 2x4 handy box.

**BURBANK,  
CALIFORNIA,  
91505  
WWW.  
DELRAY  
LIGHTING.  
COM**

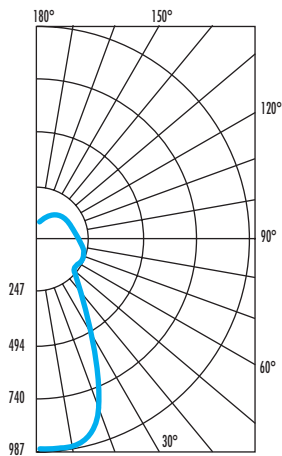
MAR 2018

## 31W

### KLS343.W40



### CP DISTRIBUTION



### COEFFICIENTS

% CEILING 80 (20% FLOOR)			
% WALL	70	50	30
0	118	118	118
1	111	108	105
2	105	100	95
3	100	92	87
4	94	86	80
5	89	80	74
6	85	75	69
7	80	70	64
8	76	66	60
9	73	63	56
10	69	59	53

### NOTES

#### KLS343.W40

31W 4000° K LED

Total lumens: 2,199

Total luminaire efficacy: 61%

**NOTE:** Aircraft cable suspension is not recommended for outdoor use, where fixture will be exposed to water, or subject to wind oscillation. Avoid use near HVAC vents and in environments with corrosive chemical vapors, such as swimming pools.

## KLS343 – LED

These LED luminaires that provide conventional footcandle levels  $\leq 1.4\text{W}/\text{FT}^2$ .

Featuring Cree LMH modules feature opal diffusers that provide the appearance of an A-lamp from below. Available in three white color temperatures: **W30** (3000° K), **W35** (3500° K), and **W40** (4000° K); matching the traditional CCT of existing incandescent and fluorescent lamps. CRI=92, R9=72.

cUL rated for dry locations only.

### LM-79 TEST SUMMARY – KLS343.W40

Driver:	Cree LMH2
Total Lumens:	2,199
Input Power (W):	35.8
Efficacy:	61
Color Rendering Index (CRI):	92
CCT:	4000°K

### CREE LMH2 LED MODULE



These modules are durable, field replaceable, and have been Tempo tested by Cree to ensure optimum performance.

### DIMMING

#### STANDARD DIMMING

120/277V, 50/60 Hz, 0–10V, dims to 1%.

#### DIMMING OPTIONS

**D9**–Lutron Hi-Lume L3DA Series 3-wire. Dims to 1%.

**D11**–Lutron EcoSystem LDE14 Series. Dims to 1%. Fade to off.