

KONE3 LARGE OPAL LED SEMI-RECESSED LUMINAIRE

**DELRAY
LIGHTING
INCORPORATED**

**KONE3
KLS33**



TYPE:

PROJECT:

ORDER NUMBER:

Model #	Lumens	LEDs	Dimming	Option	Voltage*
KLS33	2-2000	W30	D11	EM*	120
	3-3000	W35			277
		W40			347

*Voltage must be specified.

HOUSING ASSEMBLY

- Pre-coated galvanized steel mounting frame and J-box.
- Telescopic bar hangers supplied, provides for off-center mounting on joists or T-bar.
- Ground wire included (prewired).

GLASS

- Hand blown opal glass.

LED DRIVERS

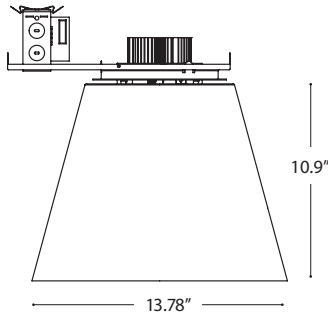
- Standard drivers are constant current, with 0-10V dimming to 1%.
- Driver housed inside canopy for easy access.
- Emergency Battery Pack (**EM**) provides 7W for 90 mins. Voltage must be specified. Red light and test switch mounts in ceiling, in single gang J-box.
- cU.L. listed for dry locations.

LEDs

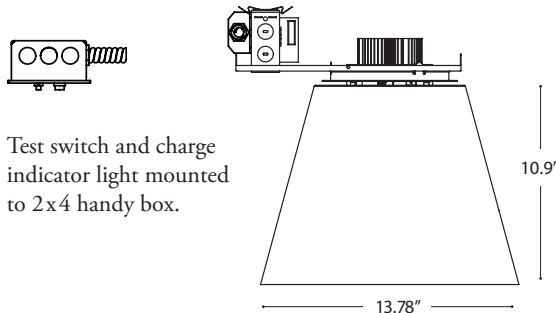
- Cree LED modules feature opal diffusers that provide the appearance of an A-lamp from below.
- Available in 21W/2000 Lumens and 31W/3000 Lumens.
- Available in three white color temperatures: **W30** (3000° K), **W35** (3500° K), and **W40** (4000° K).
- CRI = 92, R9 = 72
- Dimming available for both Lumen outputs and all color temperatures.
- 50,000 hour LED life

KLS332 LED
2,000 lumens

KLS333 LED
3,000 lumens



EM
Emergency
Battery Pack



Test switch and charge indicator light mounted to 2x4 handy box.

Specify LED color:

W30—White (3000° K)

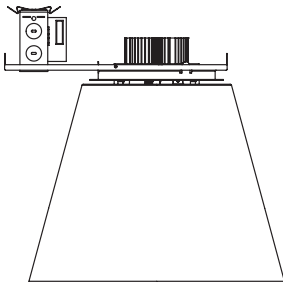
W35—White (3500° K)

W40—White (4000° K)

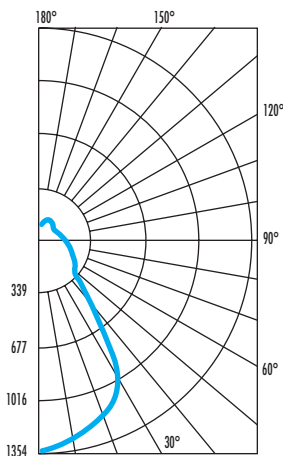
**BURBANK,
CALIFORNIA,
91505
WWW.
DELRAY
LIGHTING.
COM**

31W

KLS333.W35



CP DISTRIBUTION



COEFFICIENTS

% CEILING 80 (20% FLOOR)			
% WALL	70	50	30
0	115	115	115
1	105	101	97
2	97	90	84
3	90	81	74
4	84	73	66
5	78	67	59
6	73	61	54
7	68	56	49
8	64	52	45
9	60	49	41
10	57	45	38

NOTES

KLS333.W35

31W 3500° K LED

Total lumens: 2,509

Total luminaire efficacy: 65%

NOTE: Aircraft cable suspension is not recommended for outdoor use, where fixture will be exposed to water, or subject to wind oscillation. Avoid use near HVAC vents and in environments with corrosive chemical vapors, such as swimming pools.

KLS333 – LED

These LED luminaires that provide conventional footcandle levels $\leq 1.4\text{W}/\text{FT}^2$.

Featuring Cree LMH modules feature opal diffusers that provide the appearance of an A-lamp from below. Available in three white color temperatures: **W30** (3000° K), **W35** (3500° K), and **W40** (4000° K); matching the traditional CCT of existing incandescent and fluorescent lamps. CRI=92, R9=72.

cUL rated for dry locations only.

LM-79 TEST SUMMARY – KLS333.W30

Driver:	Cree LMH2
Total Lumens:	2,509
Input Power (W):	38.55
Efficacy:	65
Color Rendering Index (CRI):	92
CCT:	3500°K

CREE LMH2 LED MODULE



These modules are durable, field replaceable, and have been Tempo tested by Cree to ensure optimum performance.

DIMMING

D—standard supplied driver. Programmable, 0–10V, 120/277V, 50/60 Hz, 1% dimming.

OPTIONAL DRIVER

BDIM-W11

- Lutron EcoSystem LDE14 Series
- Dims to 1%
- Fade to off.