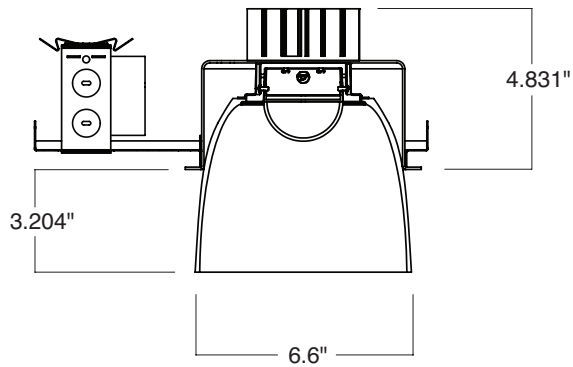


6" SEMI RECESSED LED DOWNLIGHT



SPECIFICATION INFORMATION

HOUSING ASSEMBLY

- Pre-coated galvanized steel mounting frame and J-box.
- Telescopic bar hangers supplied, provides for off-center mounting on joists or T-bar.
- Self flange type trim for clean, contemporary appearance.
- Ground wire included (prewired).
- Semi-recessed handblown opal glass shade with low glare matte interior.

LED DRIVERS

- Standard drivers are constant current, with 0–10V dimming to 15%.
- Emergency Battery Pack (**EM**) provides 7W of power for 90 mins. Voltage must be specified.
- **EM** – red light test button in ceiling handy box.
- cU.L. listed for damp locations.

LEDs

- CREE® LMH LED modules feature opal diffusers that provide the appearance of an A-lamp from below.
- Available in 21W/2000 Lumens and 31W/3000 Lumens.
- Available in three white color temperatures: **W30** (3000° K), **W35** (3500° K), and **W40** (4000° K).
- CRI = 91, R9 = 72
- Dimming available for both wattages and all color temperatures.
- 50,000 hour LED life

Specify LED color:

- W30**–White (3000° K)
- W35**–White (3500° K)
- W40**–White (4000° K)

DIMMING

D–Standard, 120/277V, 50/60 Hz, 0–10V, dims to 1%.

D11–Lutron EcoSystem LDE14 Series. Dims to 1%. Fade to off.

OPTIONS

- **EM**–Emergency battery pack.
- **CP**–Chicago plenum
- **FS**–Inline fuse

ORDERING INFORMATION

MODEL–WATTS, LUMENS	LED COLOR	DIMMING / OPTIONS	VOLTAGE*
<input type="checkbox"/> YL47421 –21W, 2000 lumens	<input type="checkbox"/> W30 –(3000° K)	<input type="checkbox"/> D11	<input type="checkbox"/> 120
<input type="checkbox"/> YL47431 –31W, 3000 lumens	<input type="checkbox"/> W35 –(3500° K)	<input type="checkbox"/> EM –Emergency*	<input type="checkbox"/> 277
	<input type="checkbox"/> W40 –(4000° K)	<input type="checkbox"/> CP –Chicago Plenum	<input type="checkbox"/> 347
		<input type="checkbox"/> FS –inline fuse	

*Voltage must be specified.

SUBMITTAL INFORMATION

TYPE:

PROJECT:

NOTES:

DESCRIPTION:

**DELRAY
LIGHTING
INCORPORATED**

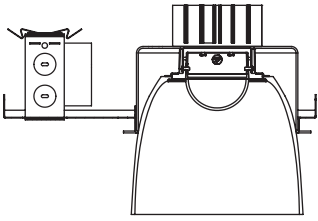
YL4742/3

**BURBANK,
CALIFORNIA,
91505
WWW.
DELRAY
LIGHTING.
COM**

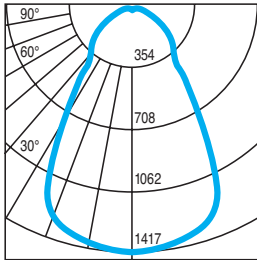
OCT 2018

YL474331W35

4743L31W35



CP DISTRIBUTION



COEFFICIENTS

% CEILING 80	(20% FLOOR)		
% WALL 70	50	30	
0	117	117	117
1	107	102	98
2	99	91	85
3	91	82	74
4	85	74	66
5	79	67	59
6	74	62	54
7	69	57	49
8	65	53	45
9	61	49	42
10	58	46	39

NOTES

YL474331W35

31W 3500° K LEDs
Total lumens: 2,536

YL4742/3

These LED luminaires that provide conventional footcandle levels at less than or equal to 1.4W/FT².

CREE® LMH LED modules feature opal diffusers that provide the appearance of an A-lamp from below, and are available in three white color temperatures: **W30** (3000° K), **W35** (3500° K), and **W40** (4000° K); matching the traditional CCT of existing incandescent, fluorescent, and metal halide lamps. CRI = 91, R9 = 72

cUL rated for dry locations only.

LM-79 TEST SUMMARY - YL474331W35

Driver:	ERP
Total Lumens:	2,536
Input Power (W):	38.1
Efficacy:	66.6
Color Rendering Index (CRI):	92

CREE LMH2 LED MODULE



These modules are durable, field replaceable, and have been Tempo tested by Cree to ensure optimum performance.

DIMMING

D—standard supplied driver. Programmable, 0–10V, 120/277V, 50/60 Hz, 1% dimming.

OPTIONAL DRIVER

BDIM-W11—Lutron EcoSystem LDE14 Series

- Dims to 1%
- Fade to off