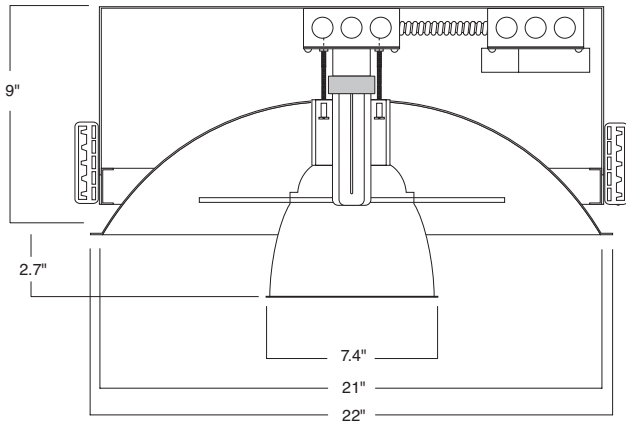


## 21" SEMI RECESSED DOWNLIGHT



### SPECIFICATION INFORMATION

#### HOUSING ASSEMBLY

- Pre-coated galvanized steel mounting frame and J-box.
- Telescopic bar hangers supplied, provides for off-center mounting on joists or T-bar.
- .063 aluminum lampholder securely fastens to reflector, provides thermally efficient operation.
- Self flange type trim for clean, contemporary appearance.
- Ground wire included (prewired).

#### TWIST LOCK SOCKET

- Push lamp in and twist clockwise to lock into place.
- Lamp will not fall out.
- Relamp with pole (with Changer accessory).

#### BALLAST

- Standard in universal voltage 120V through 277V.
- Thermally protected rapid start electronic ballasts use 4-pin lamps
- .99 power factor with THD<10%.
- End of lamp life protection.

#### ELECTRICAL

- Allows 4-in/4-out #12 AWG conductors rated at minimum 90° C.
- J-box and ballast are both accessible through fixture.
- U.L. listed for use in damp locations.

#### ACCESSORIES

- **CHANGER** for re-lamp cup
- **CP**—Chicago plenum
- **FS**—inline fuse

#### DIMMING

- Voltage *must* be specified.
- Controls lumen output down to ±5%.
- Compatible dimmers required for all ballasts.
- **D5** Advance Mark VII for 26, 32 or 42W lamp.
- **D8** Lutron Hi-Lume for 26 or 32W lamp. Controls lumen output down to ±1%.
- **D9** Lutron Eco System for 26, 32 and 42W lamps.

#### EMERGENCY

- Voltage *must* be specified.
- **EM** emergency power provides 650 lumens for one lamp for 90 minutes
- **EM13** emergency power provides 1300 lumens for one lamp for 90 minutes

### ORDERING INFORMATION

#### LAMP

- 1-26** 26W triple tube
- 1-32** 32W triple tube
- 1-42** 42W triple tube

#### 120V ELECTRONIC

- 4720.26.1**
- 4720.32.1**
- 4720.42.1**

#### 277V ELECTRONIC

- 4720.26.2**
- 4720.32.2**
- 4720.42.2**

### SUBMITTAL INFORMATION

#### TYPE:

#### PROJECT:

#### NOTES:

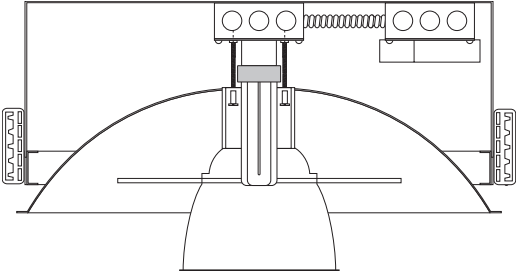
#### DESCRIPTION:

**DELRAY**  
**LIGHTING**  
INCORPORATED

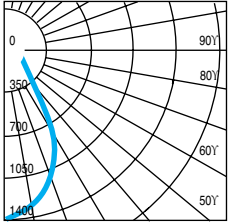
**4720**

BURBANK,  
CALIFORNIA,  
91505  
WWW.  
DELRAY  
LIGHTING.  
COM

## 1-32W PLT



## CP DISTRIBUTION



## COEFFICIENTS OF UTILIZATION

### % CEILING 80 (20% FLOOR)

% WALL	80	50	30
0	78	78	78
1	74	72	70
2	70	67	64
3	67	62	59
4	63	58	55
5	60	54	50
6	57	51	47
7	53	47	43
8	51	44	40
9	48	41	37
10	45	39	35

## NOTES

### 4720.0

1-32W triple twin tube  
 G24q-2 electronic socket  
 Total lumens: 2400  
 Spacing criteria: .8  
 Efficiency: 85.2%