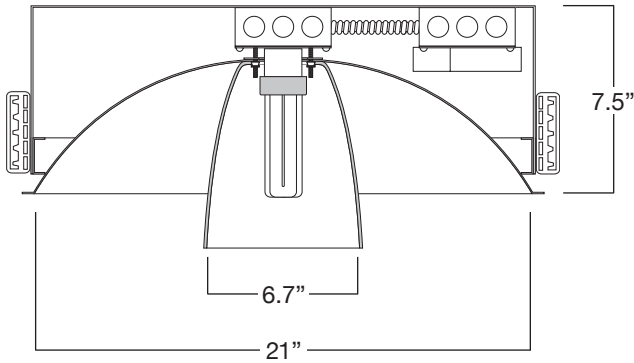


21" SEMI RECESSED DOWNLIGHT



SPECIFICATION INFORMATION

HOUSING ASSEMBLY

- Pre-coated galvanized steel mounting frame and J-box.
- Telescopic bar hangers supplied, provides for off-center mounting on joists or T-bar.
- .063 aluminum lampholder securely fastens to reflector, provides thermally efficient operation.
- Self flange type trim for clean, contemporary appearance.
- Ground wire included (prewired).

TWIST LOCK SOCKET

- Push lamp in and twist clockwise to lock into place.
- Lamp will not fall out.
- Relamp with pole (with Changer accessory).

GLASS

- Hand blown, matte opal interior, available in four colors (please specify):
 - **I**—indigo
 - **M**—marine
 - **O**—opal
 - **T**—tangerine
 - **WA**—white acrylic

BALLAST

- Standard in universal voltage 120V through 277V.
- Thermally protected rapid start electronic ballasts use 4-pin lamps
- .99 power factor with THD<10%.
- End of lamp life protection.

ELECTRICAL

- Allows 4-in/4-out #12 AWG conductors rated at minimum 90° C.
- J-box and ballast are both accessible through fixture.
- U.L. listed for use in damp locations.

ACCESSORIES

- **CHANGER** for re-lamp cup
- **CP**—Chicago plenum
- **FS**—inline fuse

DIMMING

- Voltage *must* be specified.
- Controls lumen output down to ±5%.
- Compatible dimmers required for all ballasts.
- **D5** Advance Mark VII for 26, 32 or 42W lamp.
- **D8** Lutron Hi-Lume for 26 or 32W lamp. Controls lumen output down to ±1%.
- **D9** Lutron Eco System for 26, 32 and 42W lamps.

EMERGENCY

- Voltage *must* be specified.
- **EM** emergency power provides 650 lumens for one lamp for 90 minutes
- **EM13** emergency power provides 1300 lumens for one lamp for 90 minutes

ORDERING INFORMATION

LAMP

- 1-26** 26W triple tube
- 1-32** 32W triple tube
- 1-42** 42W triple tube

120V ELECTRONIC

- 4700.I.1** 120V indigo
- 4700.M.1** 120V marine
- 4700.O.1** 120V opal
- 4700.T.1** 120V tangerine

277V ELECTRONIC

- 4700.I.2** 277V indigo
- 4700.M.2** 277V marine
- 4700.O.2** 277V opal
- 4700.T.2** 277V tangerine

SUBMITTAL INFORMATION

TYPE:

PROJECT:

NOTES:

DESCRIPTION:

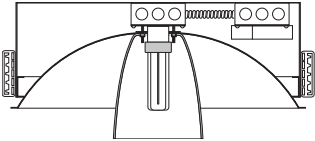
**DELRAY
LIGHTING
INCORPORATED**

4700

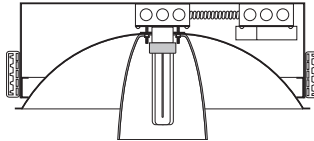
BURBANK,
CALIFORNIA,
91505
WWW.
DELRAY
LIGHTING.
COM

JUN 2017

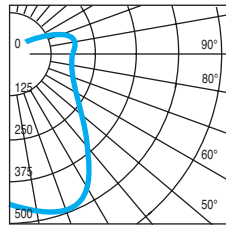
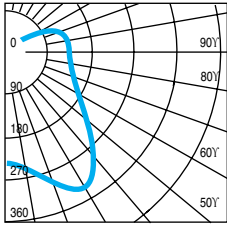
1-32W PLT



1-42W PLT



CP DISTRIBUTION



COEFFICIENTS OF UTILIZATION

% CEILING 80 (20% FLOOR)

	% WALL 70	50	30
0	98	98	98
1	86	81	77
2	78	70	64
3	71	62	54
4	65	54	46
5	59	48	40
6	55	43	35
7	51	39	31
8	47	35	27
9	43	32	24
10	40	28	21

% CEILING 80 (20% FLOOR)

	% WALL 70	50	30
0	99	99	99
1	88	83	78
2	80	72	65
3	73	63	56
4	66	56	48
5	61	50	42
6	56	45	37
7	52	40	33
8	48	36	29
9	45	33	26
10	41	29	22

NOTES

4700.0

1-32W triple tube
G24q-3 electronic socket
Total lumens: 2400
Spacing criteria: 1.6
Efficiency: 84.3%

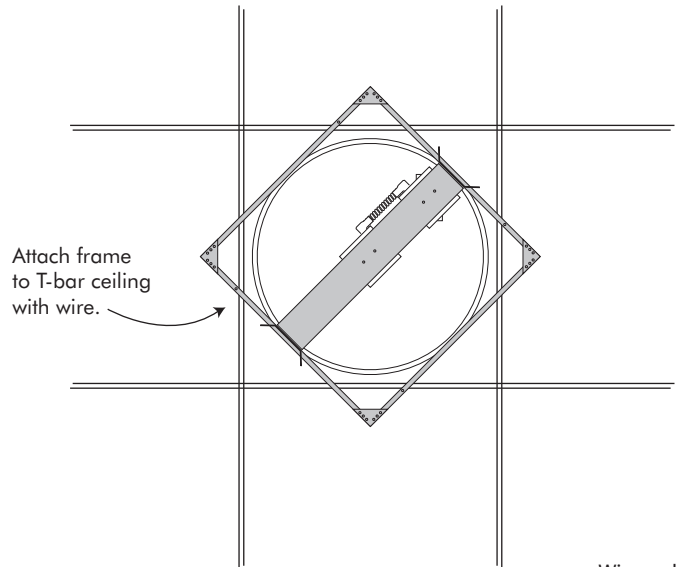
4700.0

1-42W triple tube
G24q-3 electronic socket
Total lumens: 3200
Spacing criteria: 1.6
Efficiency: 84.7%

INSTALLATION

TOP VIEW

Fixture shown sitting caddy corner, wired on 2' x 2' grid.



Wire up ballast according to the NEC.

SIDE VIEW

