



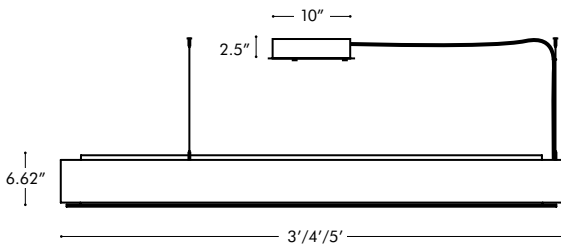
SEAMLESS T5 & LED | TOP | CYLINDRO II

PROGRAM 2012

CYLINDRO II



**CYLINDRO II**



- 6703-3 ft.
- 6704-4 ft.
- 6705-5 ft.

**VOLTAGE**

- 1-120
- 2-277

**LED COLORS**

- R-Red
- B-Blue
- SQ-RGB sequencer
- CW-Cool White
- WW-Warm White

**FINISHES**

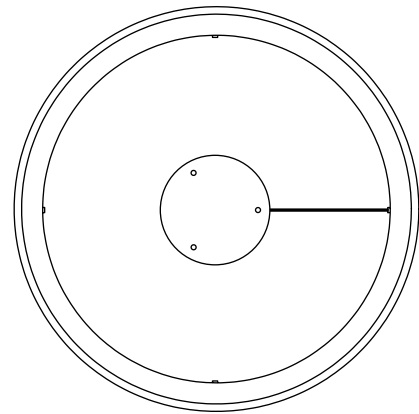
- S-Silver
- W-White
- K-Black

**OPTIONS**

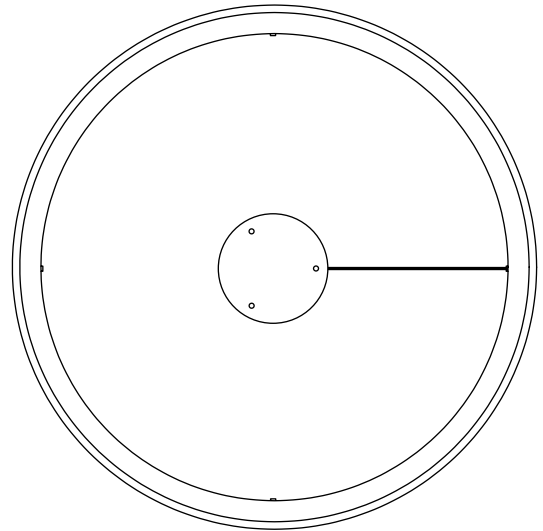
- C2RB-Remote ballast canopy
- BDIM-RGB-3 channel analog interface
- BDIM-W-for white LEDs
- BDMOD-DMX interface module

**TRAXON RGB LIGHTDRIVE**

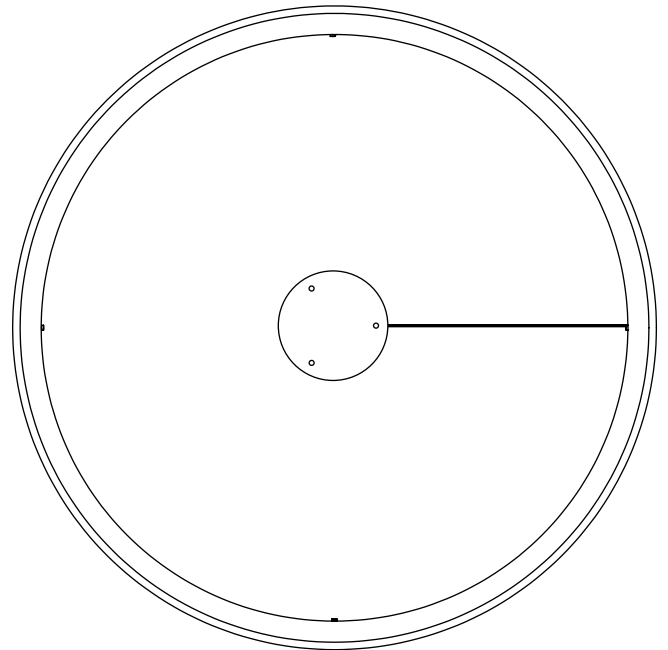
- BTRAXW-white (shown below)
- BTRAXB-black



OD: 41" / ID: 35"

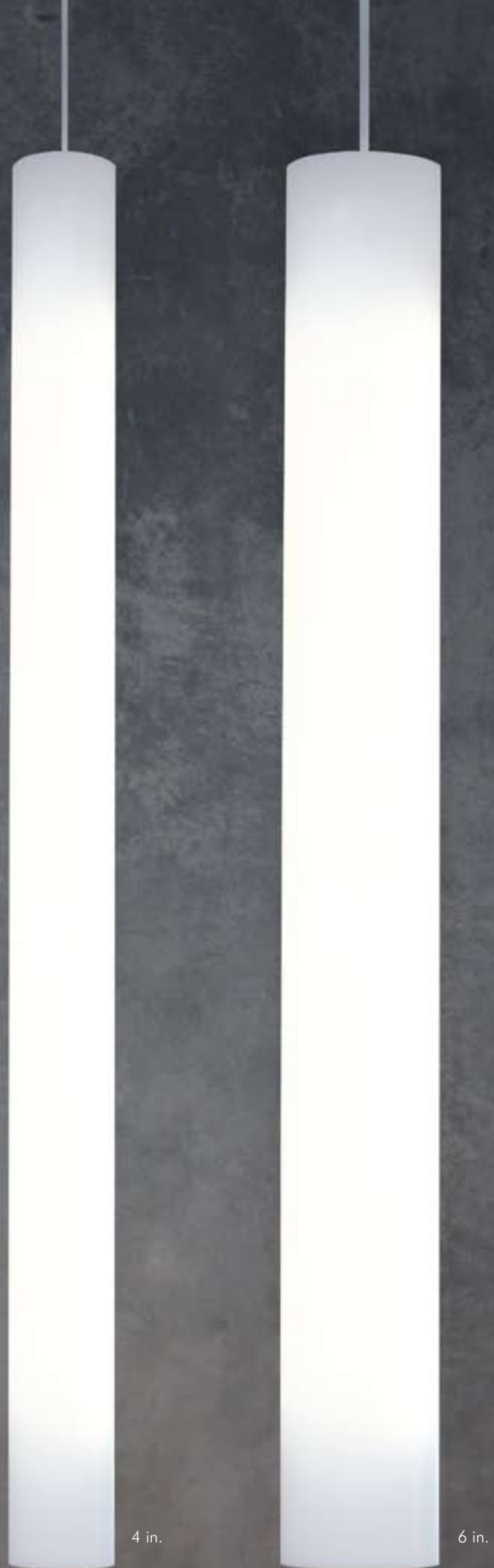


OD: 53" / ID: 47"



OD: 65" / ID: 59"

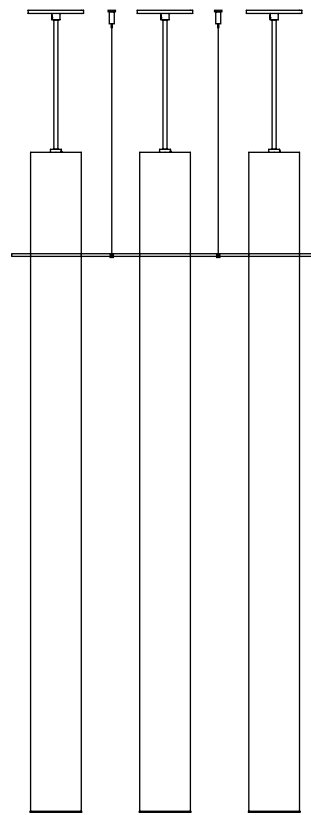
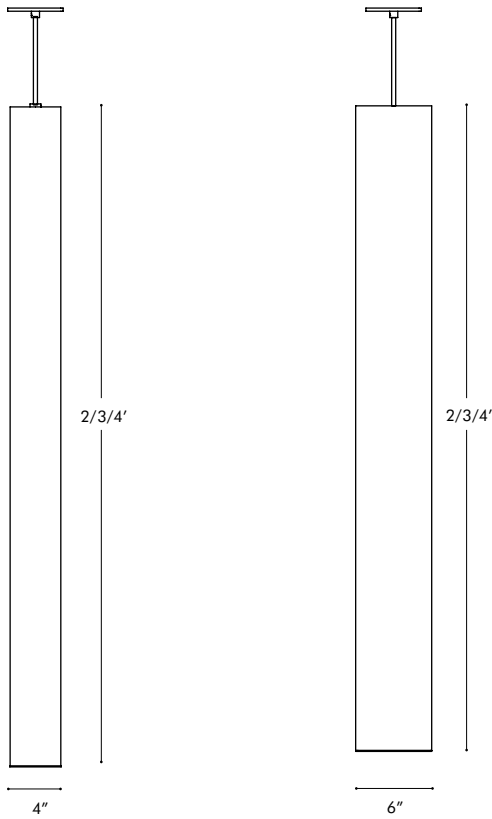
SLIM TUBES



4 in.

6 in.

**SLIM TUBES**



**MULTI-TUBE CONFIGURATIONS**  
T5/LED

Standard and custom solid acrylic collars may be added to 4" and 6" tube configurations for decoration and earthquake code compliance.

**4" DIAMETER, external ballast**

Length	T5-1 Lamp	Watts	LED
2'	6304	14/24W	6307
3'	6305	21/39W	6308
4'	6306	28/54W	6309

**6" DIAMETER, integral ballast**

Length	T5-1 Lamp	Watts	LED
2'	6311	14/24W	6314
3'	6312	21/39W	6315
4'	6313	28/54W	6316

**VOLTAGE**  
1-120  
2-277

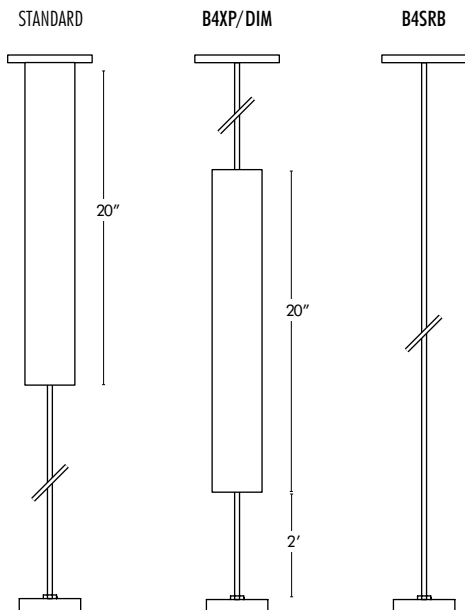
**OPTIONS**  
BLA—pipe mount  
B4SRB—remote ballast  
B4XP/DM—extra pendant/dimming

**LED MR16 DOWNLIGHT**  
BDL4—4" downlight, 9W max.  
BDL6—6" downlight, 9W max.



*Optional Downlight*

**4" DIAMETER BALLAST CONFIGURATIONS**



**LED OPTIONS**

R—Red  
B—Blue  
SQ—RGB sequencer  
CW—Cool White  
WW—Warm White  
DIM-RGB—3 channel analog interface  
BDIM-W—for white LEDs  
BDMOD—DMX interface module

**TRAXON RGB LIGHTDRIVE**

BTRAXW—white (shown below)  
BTRAXB—black

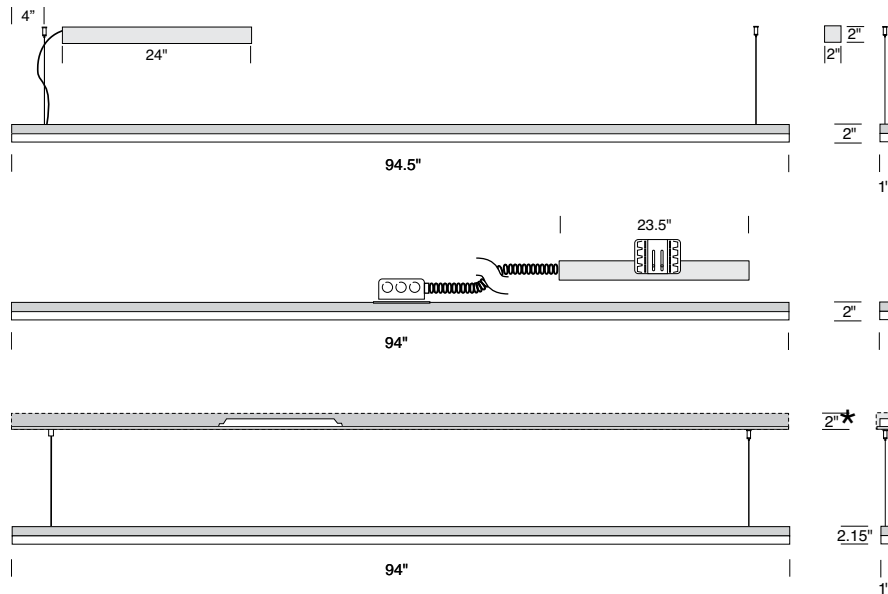




*Square Configuration*



## MEDIA SEAMLESS T5 & LED STRIP LIGHTS



T5 seamless lamps by Osram and Feelux

### T5 SEAMLESS, pendant

	Length	Wattage
ST1P8228	8'	2-28
ST18P254	8'	2-54
ST1P4128	4'	1-28
ST1P4154	4'	1-54

### LED SEAMLESS, pendant

	Length	Color
ST1P8/R/B/SQ	8'	R, B, SQ
ST1P8/CW/WW	8'	Cool/Warm White
ST1P4/R/B/SQ	4'	R, B, SQ
ST1P4/CW/WW	4'	Cool/Warm White

### T5 SEAMLESS, surface

ST1S8228	8'	2-28
ST18S254	8'	2-54
ST1S4128	4'	1-28
ST1S4154	4'	1-54

### LED SEAMLESS, surface

ST1S8/R/B/SQ	8'	R, B, SQ
ST1S8/CW/WW	8'	Cool/Warm White
ST1S4/R/B/SQ	4'	R, B, SQ
ST1S4/CW/WW	4'	Cool/Warm White

### T5 SEAMLESS, rail mount

ST1R8228	8'	2-28
ST1R8254	8'	2-54
ST1R4128	4'	1-28
ST1R4154	4'	1-54

### LED SEAMLESS, rail mount

ST1R8/R/B/SQ	8'	R, B, SQ
ST1R8/CW/WW	8'	Cool/Warm White
ST1R4/R/B/SQ	4'	R, B, SQ
ST1R4/CW/WW	4'	Cool/Warm White

### VOLTAGE

120/277

### EMERGENCY (T5)

SEM13—Emergency

### DIMMING (T5)

SD3—Advance Mark X

SD5—Advance Mark VII

SD9—Lutron Eco System

SD10—Stepped dim, 50%, 2x28W only

### LED COLORS

R—Red

B—Blue

SQ—RGB Sequencer

CW—Cool White

WW—Warm White

### LED OPTIONS

SWRB—Remote ballast canopy

BDIM-RGB—3 channel analog interface

BDIM-W—for white LEDs

BDMOD—DMX interface module

### TRAXON RGB LIGHTDRIVE

BTRAXW—white (shown, right)

BTRAXB—black

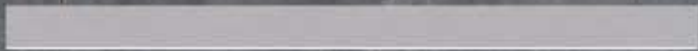
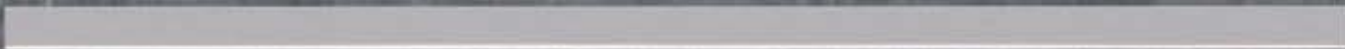
### SQUARE CONFIGURATIONS

Available in standard and custom sizes (consult spec page for dimensions).

Remote LED components and housing (supplied) must be accessible after installation.

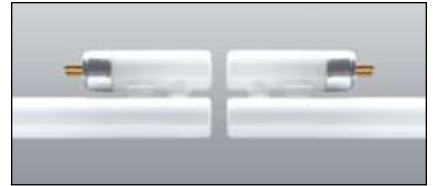
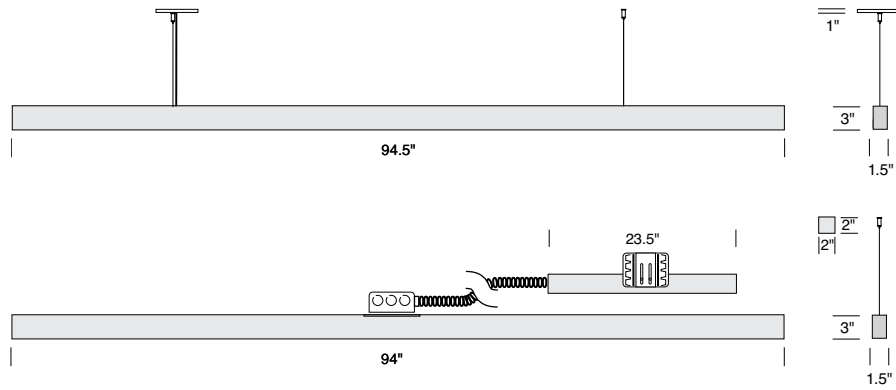


COMPLETA





COMPLETA SEAMLESS T5 STRIP LIGHTS



T5 seamless lamps by Osram and Feilux

T5 SEAMLESS, pendant

	Length	Wattage
ST2P8228	8'	2-28
ST28P254	8'	2-54
ST2P4128	4'	1-28
ST2P4154	4'	1-54

LED SEAMLESS, pendant

	Length	Color
ST2P8/R/B/SQ	8'	R, B, SQ
ST2P8/CW/WW	8'	Cool/Warm White
ST2P4/R/B/SQ	4'	R, B, SQ
ST2P4/CW/WW	4'	Cool/Warm White

T5 SEAMLESS, surface

	Length	Wattage
ST2S8228	8'	2-28
ST28S254	8'	2-54
ST2S4128	4'	1-28
ST2S4154	4'	1-54

LED SEAMLESS, surface

	Length	Color
ST2S8/R/B/SQ	8'	R, B, SQ
ST2S8/CW/WW	8'	Cool/Warm White
ST2S4/R/B/SQ	4'	R, B, SQ
ST2S4/CW/WW	4'	Cool/Warm White

VOLTAGE

120/277

EMERGENCY (T5)

SEM13—Emergency

DIMMING (T5)

SD3—Advance Mark X

SD5—Advance Mark VII

SD9—Lutron Eco System

SD10—Stepped dim, 50%, 2x28W only

LED COLORS

R—Red

B—Blue

SQ—RGB Sequencer

CW—Cool White

WW—Warm White

LED OPTIONS

SWRB—Remote ballast canopy

BDIM-RGB—3 channel analog interface

BDIM-W—for white LEDs

BDMOD—DMX interface module

TRAXON RGB LIGHTDRIVE

BTRAXW—white (shown below)

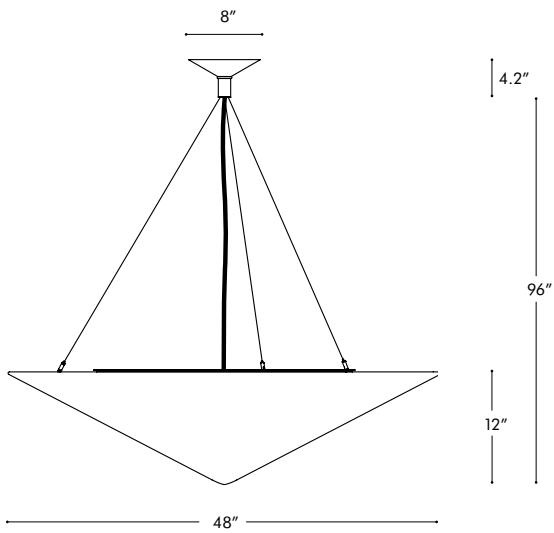
BTRAXB—black



TOP



**TOP CFL**



**COMPACT FLUORESCENT**

**3814**

4x 26/32/42W

**3815**

4x 57W

**DIMMING**

42W max.

**D3**—Advance Mark X

**D9**—Lutron EcoSystem

**CERAMIC METAL HALIDE**

**3816**

70, 100, 150W coated ED17

**VOLTAGE**

120/277

**FINISH**

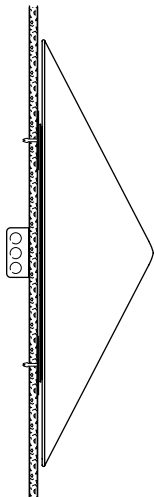
**S**—Silver

**W**—White

**X**—custom RAL color

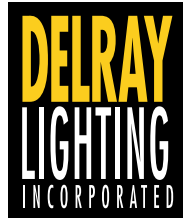
**XP**—additional pendant length

**WM—WALL MOUNT OPTION**

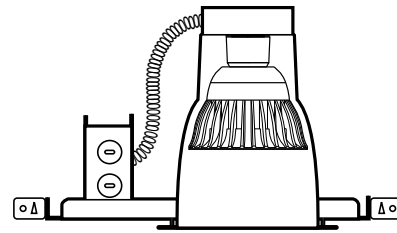


# GU24 LED DOWNLIGHT

## GU24 LED DOWNLIGHT



### NEW CONSTRUCTION



#### 120V ELECTRIC

- VL5120A—5 inch
- VL6120A—6 inch
- VL7120A—7 inch
- VL75120A—7.5 inch
- VL9120A—9 inch

#### 277V ELECTRIC

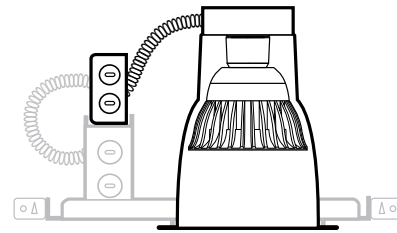
- VL5277A—5 inch
- VL6277A—6 inch
- VL7277A—7 inch
- VL75277A—7.5 inch
- VL9277A—9 inch

#### OPTIONS

- EML—Emergency
- CP—Chicago Plenum

- P—Trim Flange Painted White

### RETROFIT



#### 120V ELECTRIC

- RL5120A—5 inch
- RL6120A—6 inch
- RL7120A—7 inch
- RL75120A—7.5 inch
- RL9120A—9 inch

#### 277V ELECTRIC

- RL5277A—5 inch
- RL6277A—6 inch
- RL7277A—7 inch
- RL75277A—7.5 inch
- RL9277A—9 inch

#### OPTIONS

- EML—Emergency
- CP—Chicago Plenum
- RP—Remodel Pan

- P—Trim Flange Painted White
- OT—Oversize Trim Ring



**CREE**  
120V



**LEDtronics**  
120/277V  
120V dimming



**LedEngine**  
120/277V  
120V dimming