



7700L50
7702L50 (uplight)



7800L50
7802L50 (uplight)

INDUSTRIAL **LED**
SONAR



Lens cut away to reveal LED module.

INDUSTRIAL LED | SONAR

Nichia Corp. 757 LED modules:

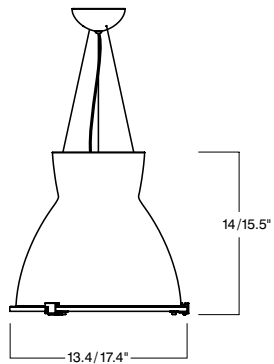
Lumens:	5000	3550
Watts:	50	35
mA:	1050	750

Dimming: 0–10V, 5%

Emergency: 90 mins., 650 Lumens

Color temperatures: W30 (3000° K), W35 (3500° K), and W40 (4000° K).

Uplights: split 40W down, 10W up. (Separate switching not available.)



Enhanced ventilation: 2" lens opening.





7710L50

7810L50

INDUSTRIAL LED
ROCKET



Lens cut away to reveal LED module.

INDUSTRIAL LED | ROCKET

Nichia Corp. 757 LED modules:

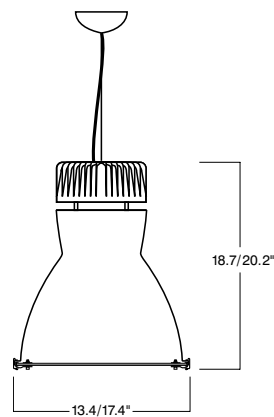
Lumens:	5000	3550
Watts:	50	35
mA:	1050	750

Dimming: 0–10V, 5%

Emergency: 90 mins., 650 Lumens

Color temperatures: W30 (3000° K), W35 (3500° K), and W40 (4000° K).

Enhanced ventilation: 2" lens opening.





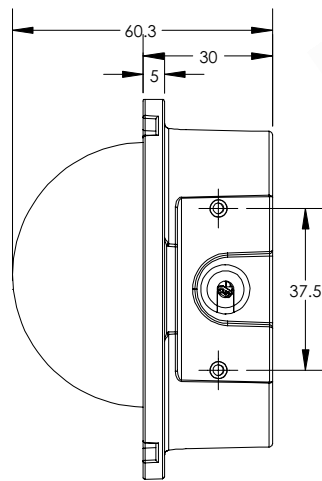
I7300L

INDUSTRIAL LED
STELLAR



A-Line LED
INDUSTRIAL | STELLAR

CREE® LMH4000 / 6000 LED modules: feature opal diffusers that provide the appearance of an A-lamp from below.



Lumens:	6000	4000
Watts:	71	38

Color temperatures: W30 (3000° K), W35 (3500° K), and W41 (4100° K).

CRI: 92

Dimming: 0–10V, 20%

Emergency: 90 mins., 650 Lumens

