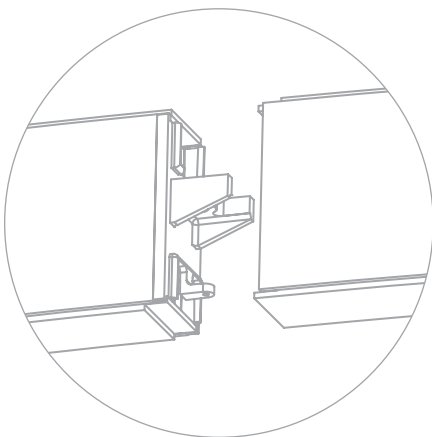
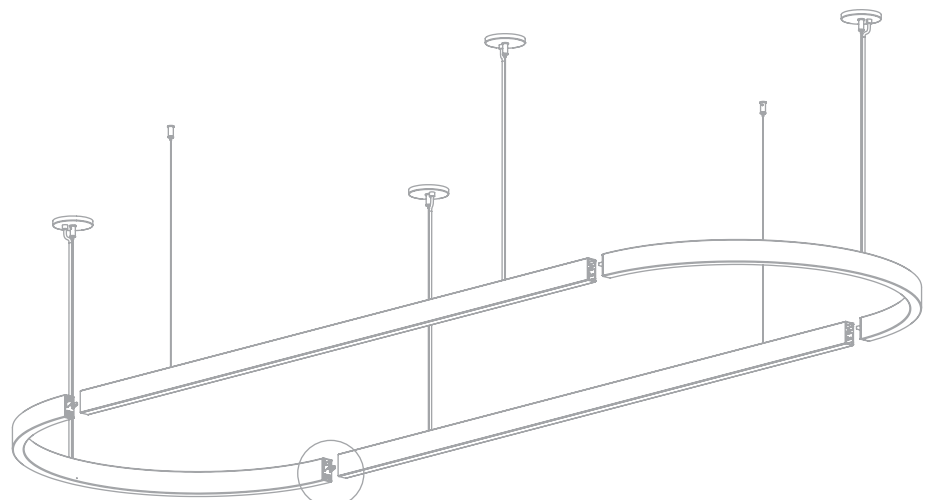


LED DOS CURVE





CURVED & LINEAR MODULES - OVAL

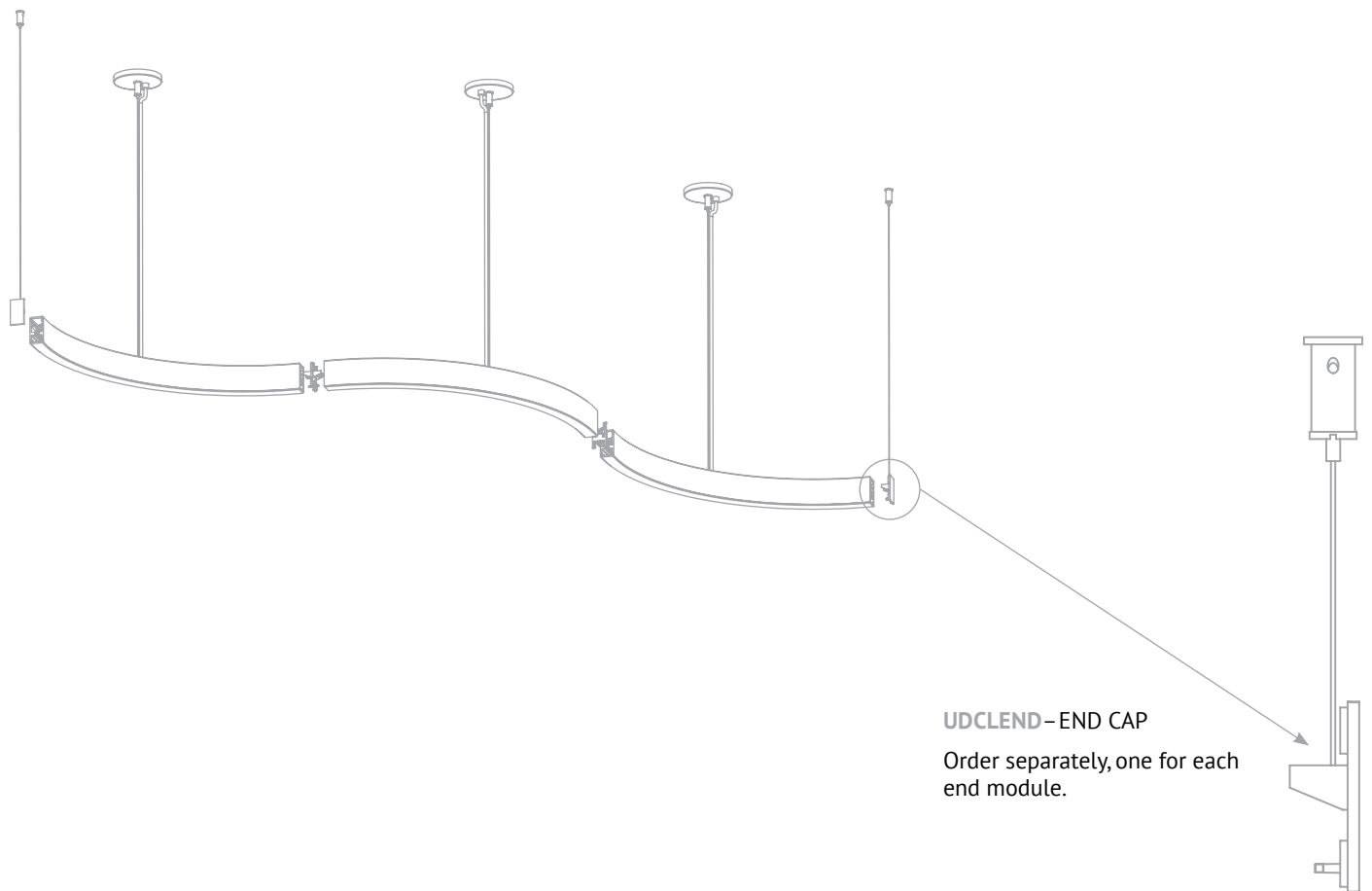


UDCLJOIN-JOINER

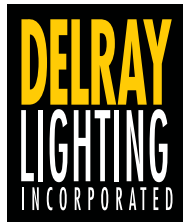
One joiner supplied per module.



CURVED MODULES – SERPENTINE

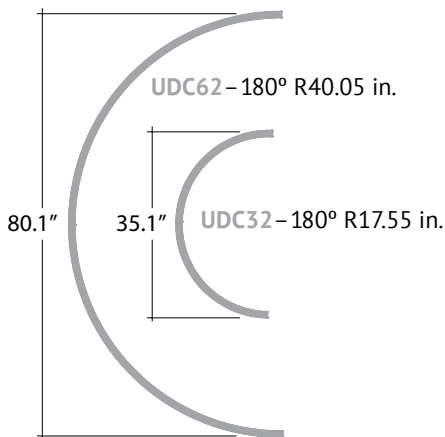
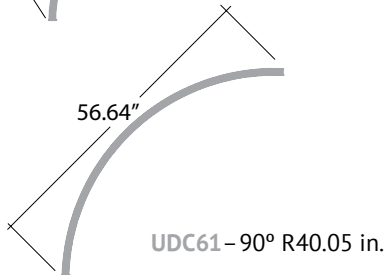
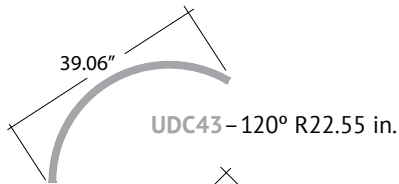
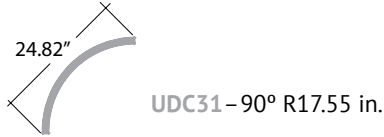


DOS CURVE



Create custom luminaires by combining the modules shown below.

CURVED MODULES



LINEAR MODULES

UDL2 – 2 ft. (23.5")

UDL3 – 3 ft. (35.4")

UDL4 – 4 ft. (47.25")

UDL6 – 6 ft. (70.8")

UDL8 – 8 ft. (95.5")

Watts & Delivered Lumens

CURVED MODULES	WATTS	DELIVERED LUMENS
UDC31	22	2,045
UDC61	44	4,100
UDC43	39	3,630
UDC32	44	4,100
UDC62	88	8,200
LINEAR MODULES	WATTS	DELIVERED LUMENS
UDL2	18	1,732
UDL3	27	2,585
UDL4	36	3,465
UDL6	54	5,170
UDL8	72	6,930

LED specifications + options

WHITE LEDS

Nichia Corp. NFSL757 tight bin chips on aluminum boards. Specify color: **W30**–3000° Kelvin, **W35**–3500° Kelvin, or **W40**–4000° Kelvin. 90 CRI.

DRIVERS

Remote install only.

D–Standard 0–10V, programmable, 1% dimming, 120/277V, 50/60 Hz.

BDIM-W11–Lutron EcoSystem LDE14 Series, 1% dimming, fade-to-off.

CUSTOM LUMEN REDUCTION

Factory-set custom reduced lumen output. Order **XL**. *Specify lumens.*

EMERGENCY BATTERY PACK

For 4' through 8' fixtures only. Ignites LEDs for 90 minutes. Adds additional length to driver housing. Voltage must be specified.

EM7–7W for 90 minutes.

EM12–12W for 90 minutes.