



CYLINDRO  
BIG LIGHT  
Q-UPLIGHT



6401.18

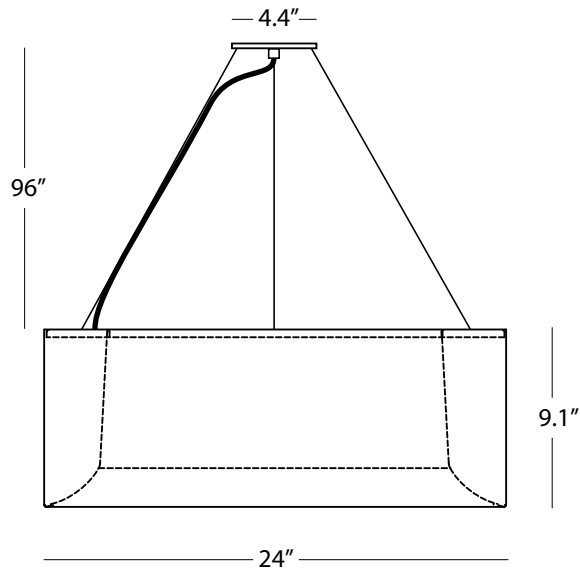
Janet Nolan Design

Babcock & Brown/San Francisco

Photo: © Benny Chan/Fotoworks

DELRAY

central mounting point



- 6401.13 10-13w CFL
- 6401.18 5-18w CFL
- 6401.26 5-26w CFL

OPTIONS

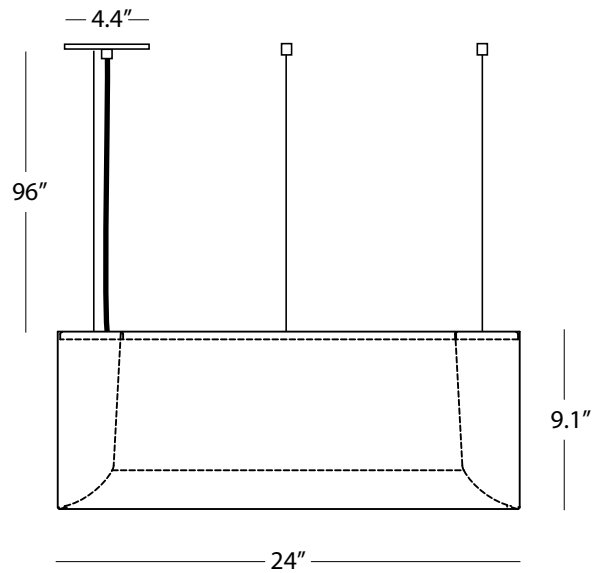
- BMR16 50w MR16 downlight
- BAR111 50w AR111 downlight
- D3 dimming, 18 or 26w CFL

CFL



6401

three point mounting



- 6402.13 10-13w CFL
- 6402.18 5-18w CFL
- 6402.26 5-26w CFL

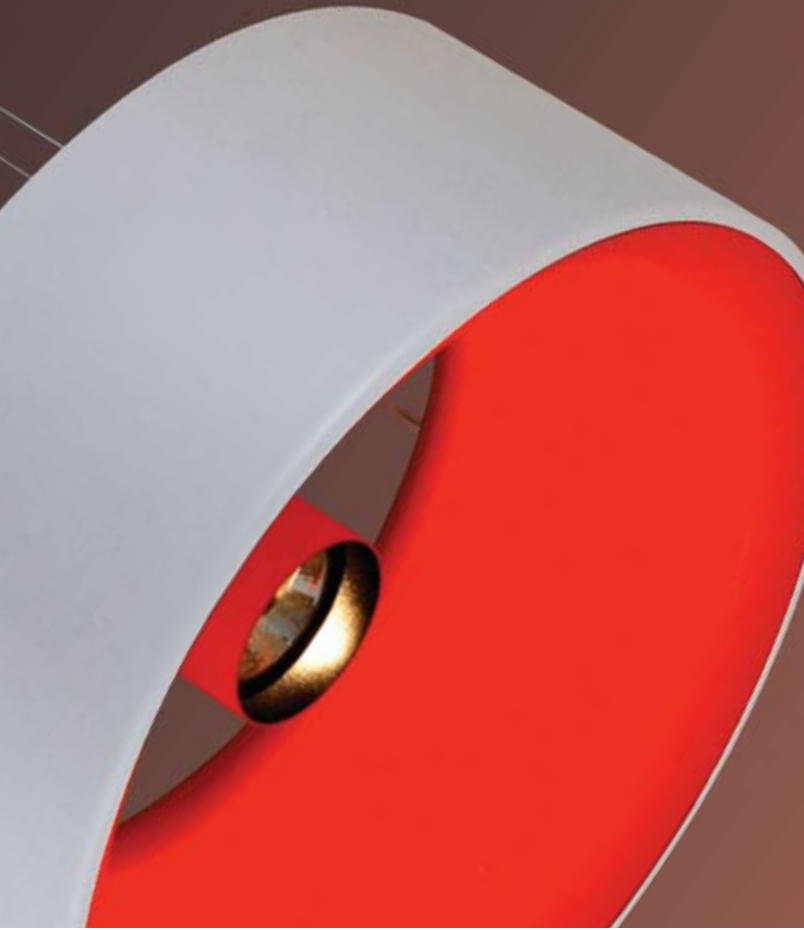
OPTIONS

- BMR16 50w MR16 downlight
- BAR111 50w AR111 downlight
- D3 dimming, 18 or 26w CFL

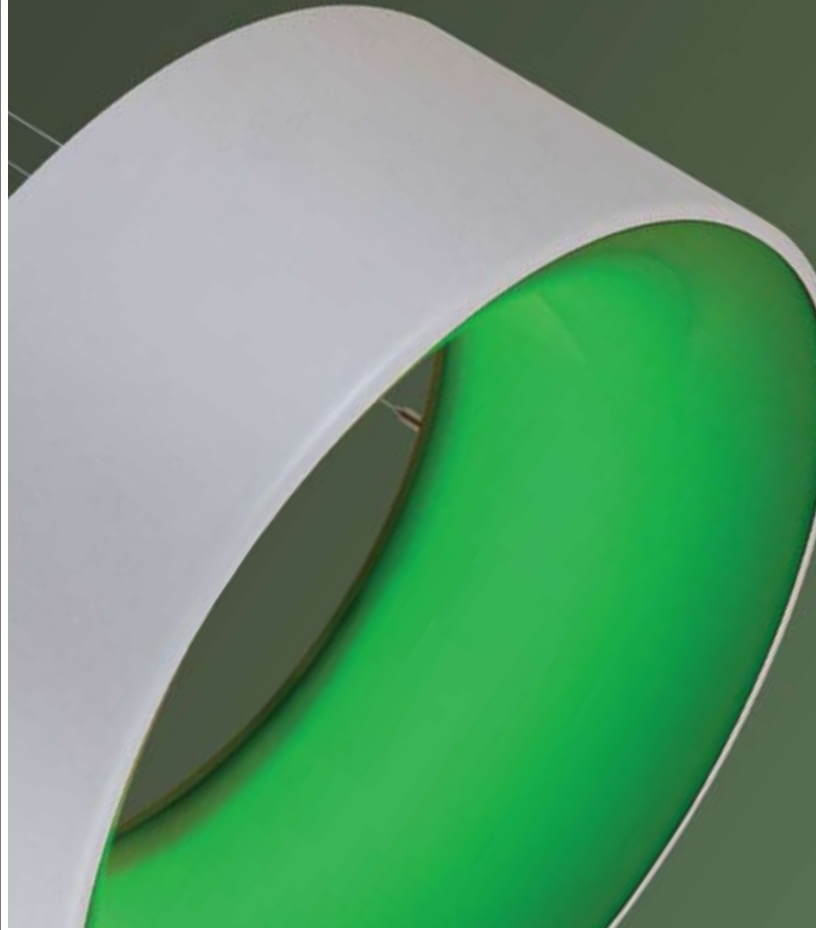


6402

6502.R shown with BAR111 option



6502.G



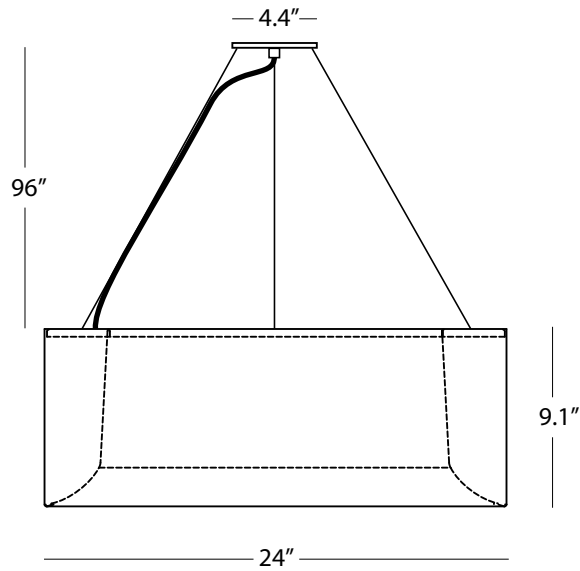
6502.B



6502.SQ shown with BMR16 option



central mounting point



- 6501.R red LED
- 6501.G green LED
- 6501.B blue LED
- 6501.SQ\* RGB LED color sequencer

OPTIONS

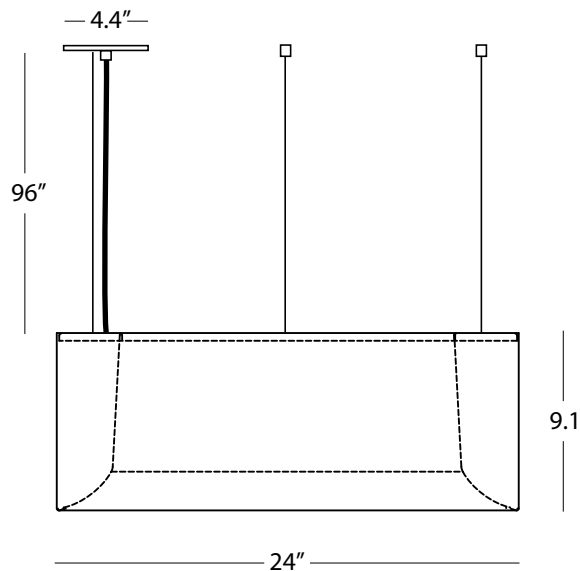
- BMR16 50w MR16 downlight
- BAR111 50w AR111 downlight

LED



6501

three point mounting



- 6502.R red LED
- 6502.G green LED
- 6502.B blue LED
- 6502.SQ\* RGB LED color sequencer

OPTIONS

- BMR16 50w MR16 downlight
- BAR111 50w AR111 downlight

\*See spec pages online for up-to-date LED controller information.

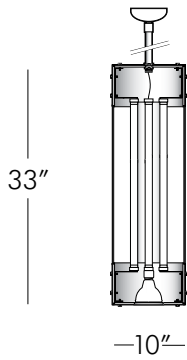


6502



6300 shown

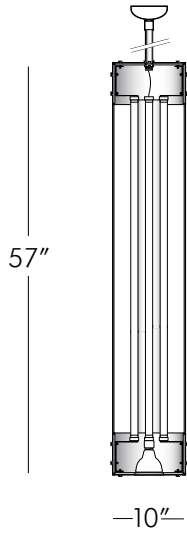
DELRAY



**6301**  
 three 17w T8 lamps with  
 one 75w PAR30S 120V *only*

**6321**  
 three 17w T8 lamps with one  
 39w PAR30 metal halide

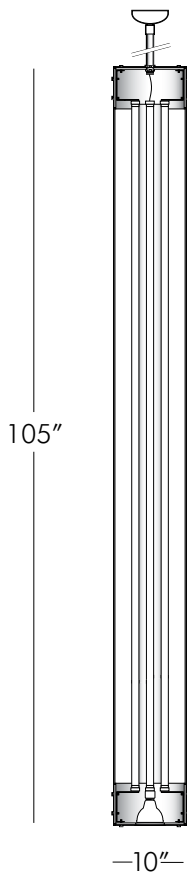
**6331**  
 three 17w T8 lamps with no  
 downlight



**6300**  
 three 32w T8 lamps with  
 one 75w PAR30S 120V *only*

**6320**  
 three 32w T8 lamps with  
 one 39w PAR30 metal halide

**6330**  
 three 32w T8 lamps with  
 no downlight



**6302**  
 three 59w T8 lamps with  
 one 75w PAR30S 120V *only*

**6322**  
 3-59w T8 lamps with one 39w  
 PAR30 metal halide

**6332**  
 3-59w T8 lamps with  
 no downlight

CFL

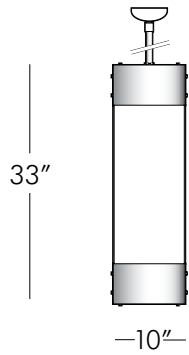


6300

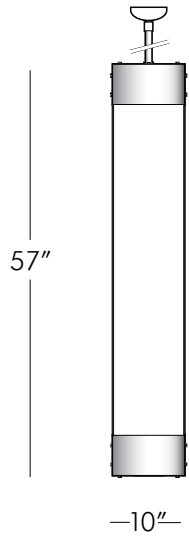


Custom chandelier  
The Lighting Practice  
The Avenues Mall, Jacksonville, FL

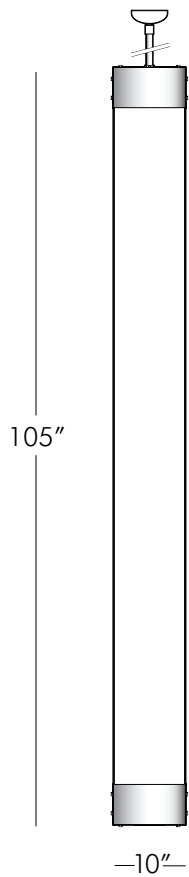




- 6341\***  
LED RGB sequencer with no downlight
- 6351\***  
LED RGB sequencer with one 75w PAR30S 120V only
- 6361\***  
LED RGB sequencer with one 39w PAR30 metal halide



- 6340\***  
LED RGB sequencer with no downlight
- 6350\***  
LED RGB sequencer with one 75w PAR30S 120V only
- 6360\***  
LED RGB sequencer with one 39w PAR30 metal halide



- 6342\***  
LED RGB sequencer with no downlight
- 6352\***  
LED RGB sequencer with one 75w PAR30S 120V only
- 6362\***  
LED RGB sequencer with one 39w PAR30 metal halide

\*See spec pages online for up-to-date LED controller information.

LED



6340

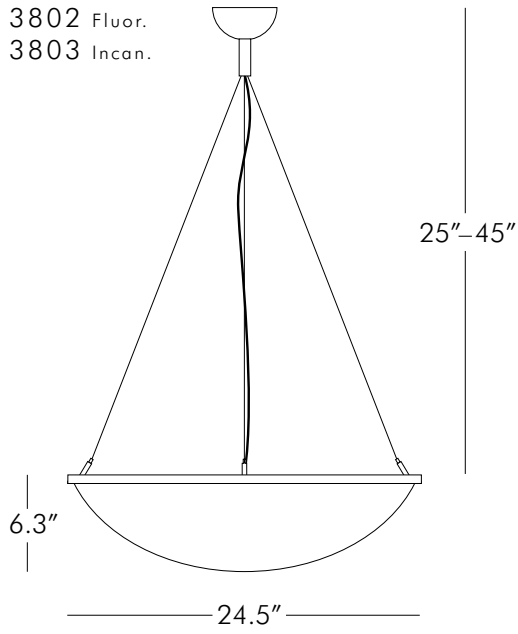


3812 Fluor.  
3813 Incan.

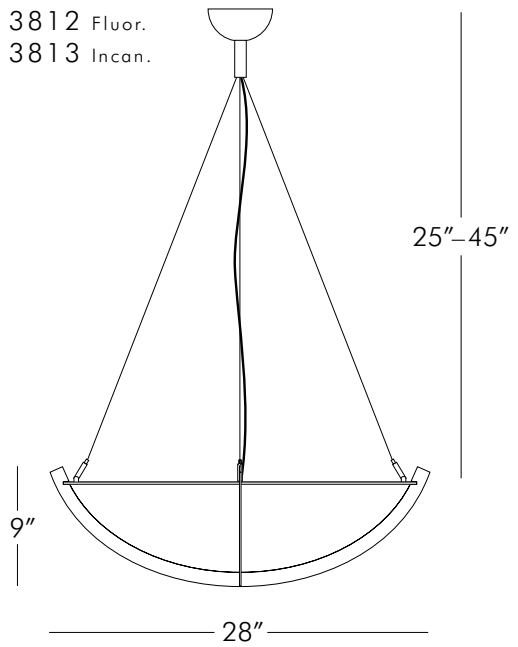
Q-UPLIGHT  
four 26,32,42w

DELRAY

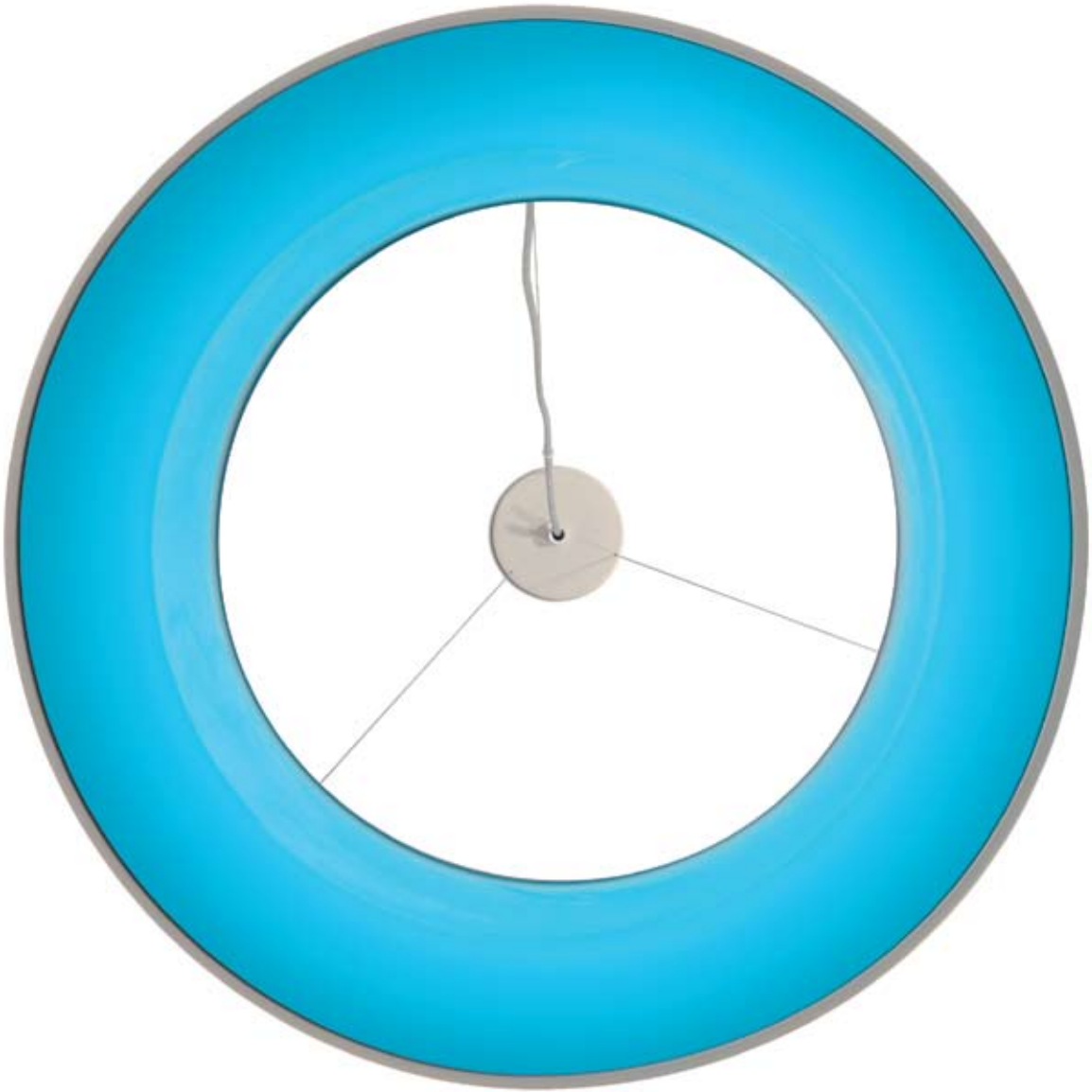
3802 Fluor.  
3803 Incan.



3812 Fluor.  
3813 Incan.



3802 Fluor.  
3803 Incan.



6501.SQ  
shown from below