

# YL4742 LED

## Semi-Recessed Downlight Installation 1 of 2

Installation ou de montage

**WARNING:** disconnect main power at the source prior to installation! *Only qualified electricians should install Delray Lighting products.*

Cut 6-5/8" opening in ceiling.  
Install frame-in kit atop ceiling.  
Use supplied telescopic bar hangers  
to secure to joist or T-bar.

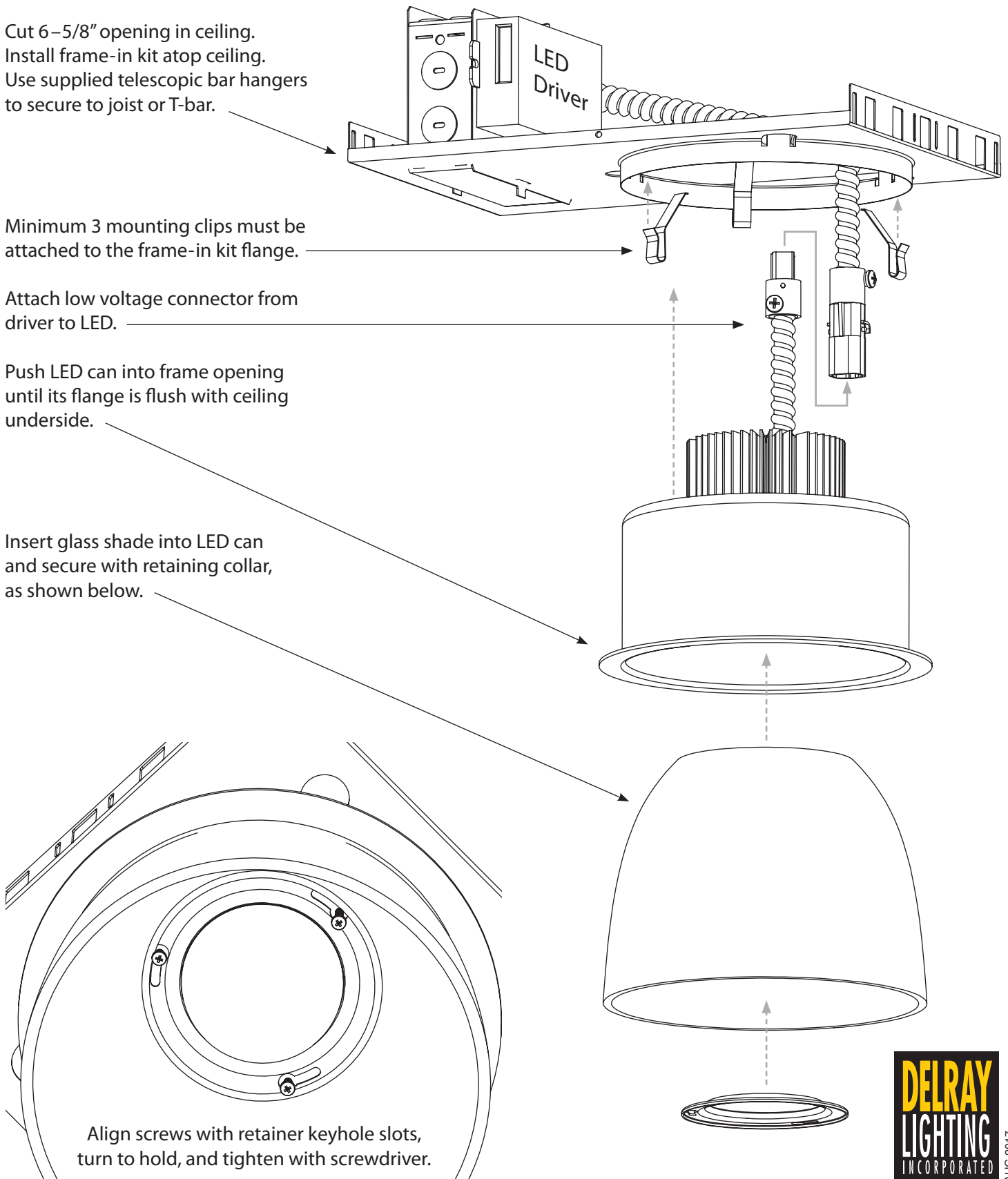
Minimum 3 mounting clips must be  
attached to the frame-in kit flange.

Attach low voltage connector from  
driver to LED.

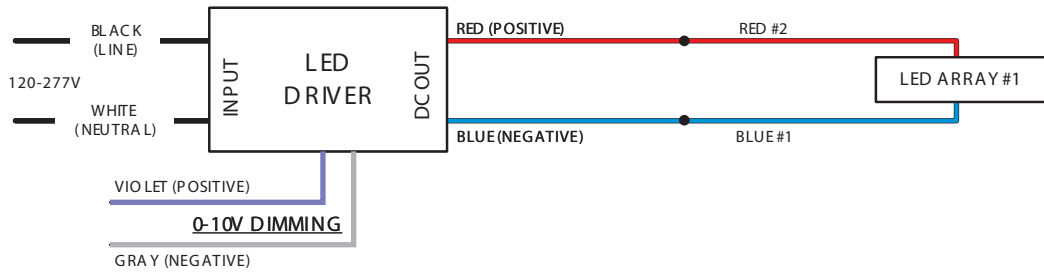
Push LED can into frame opening  
until its flange is flush with ceiling  
underside.

Insert glass shade into LED can  
and secure with retaining collar,  
as shown below.

Align screws with retainer keyhole slots,  
turn to hold, and tighten with screwdriver.



### Wiring Diagram



### Wiring Diagram | Emergency Backup

