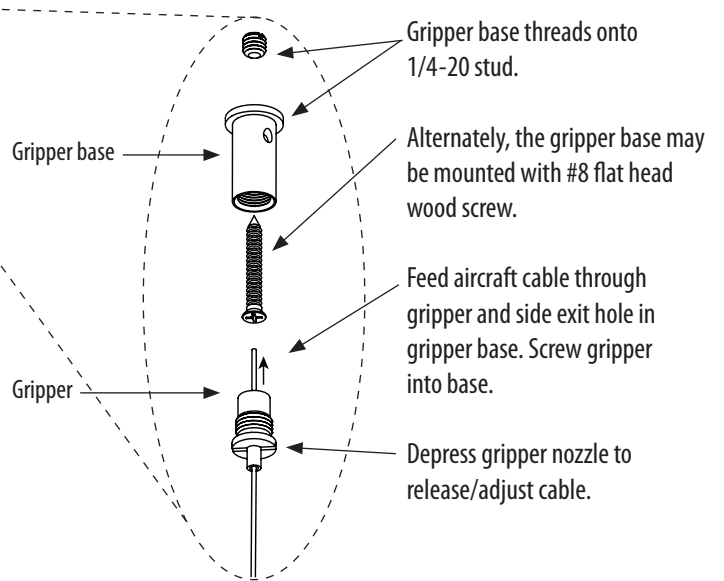
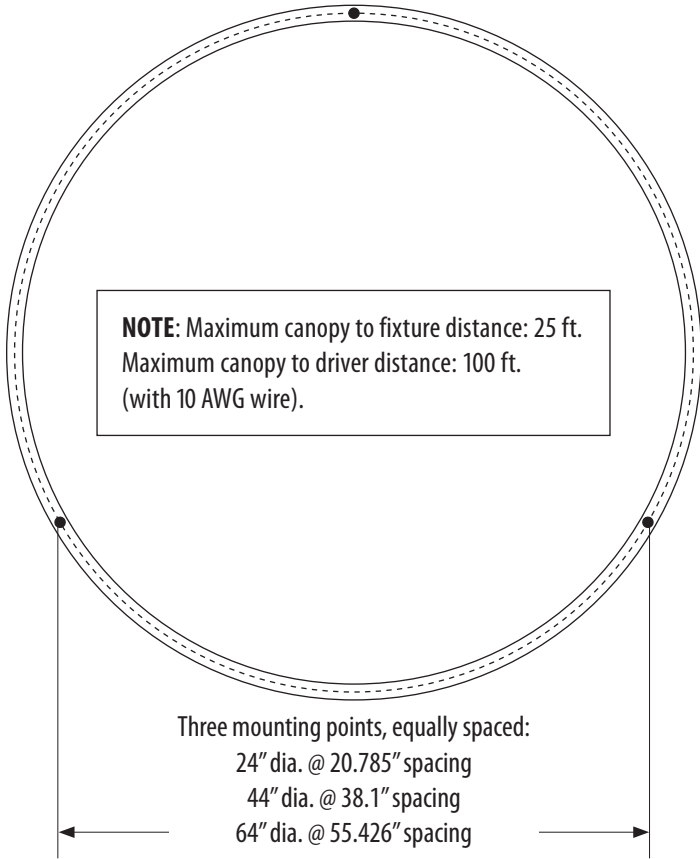
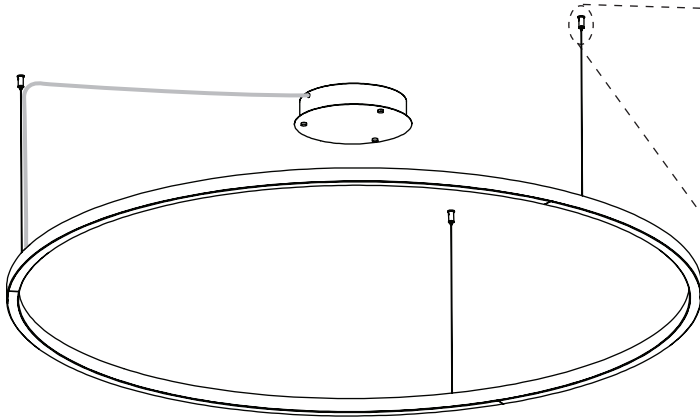
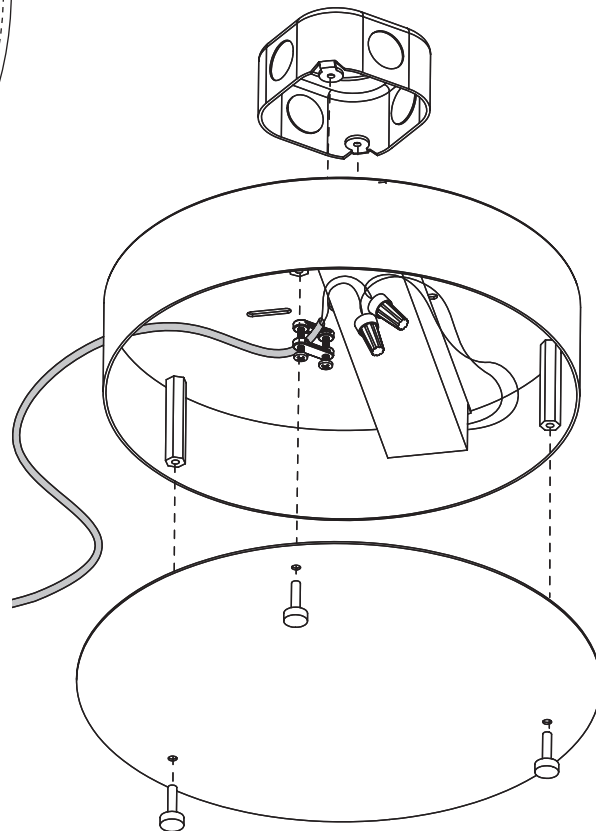


WARNING: disconnect main power at the source prior to installation! *Only qualified electricians should install Delray Lighting products.*



Mount driver housing to octagonal box or mud ring. Wire up drivers to line voltage on primary side.
Feed lamp cord through side of housing, secure with screw-down strain relief.
Wire up according to wiring diagram, left.



Uno wiring:

Red to 24VDC positive
Blue to 24VDC negative

Dos wiring:

Red to 24VDC positive
Blue to 24VDC negative } Driver 1

Red/White to 24VDC positive
Blue/White to 24VDC negative } Driver 2

Dimming:

Purple and Gray wires from driver to 0-10V dimmer, cap if not used.