

REMODEL DOWNLIGHT INSTALLATION INSTRUCTIONS

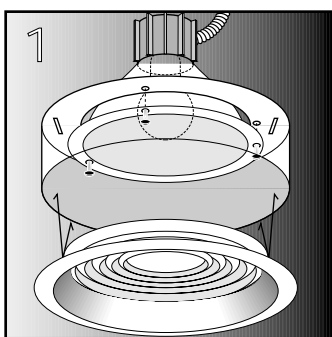
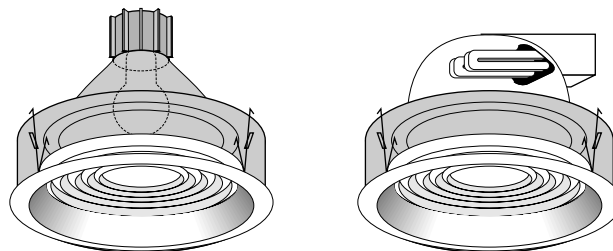
9/93



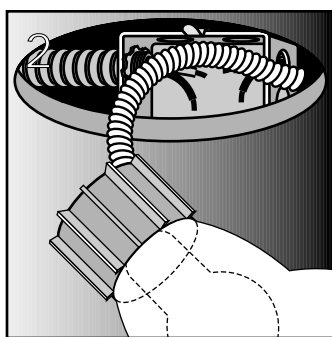
For lensed fixtures

WARNING: Risk of fire or electric shock. Install this kit only in a fixture that has the construction features shown in these installation instruction drawings.

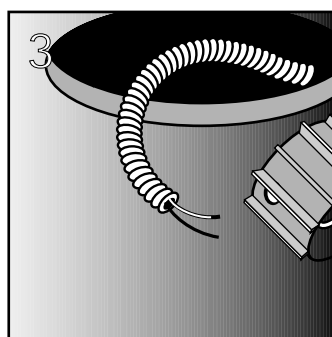
See back page for listing of U.L. Classification



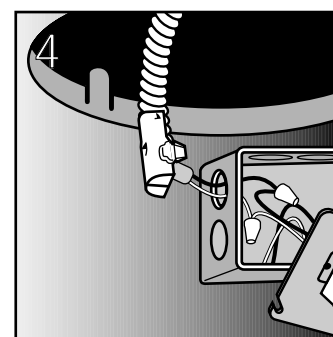
1 Pull down existing lens assembly and remove reflector screws



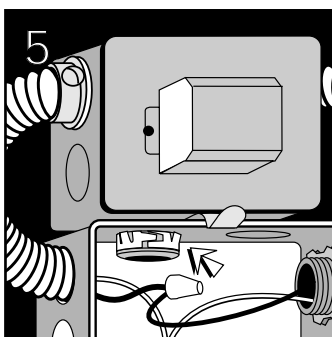
2 Remove reflector assembly



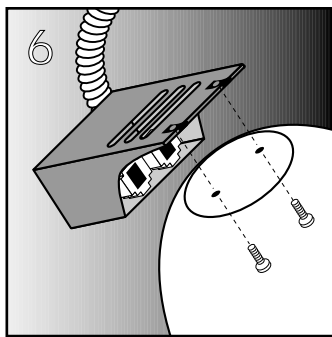
3 Carefully cut socket wires and detach power feed from socket



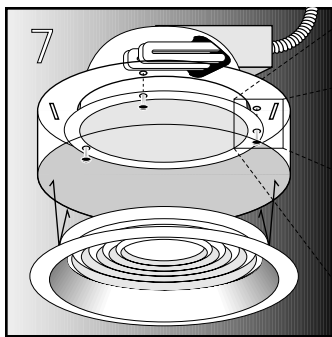
4 Attach power feed to ballast assembly and wire-up



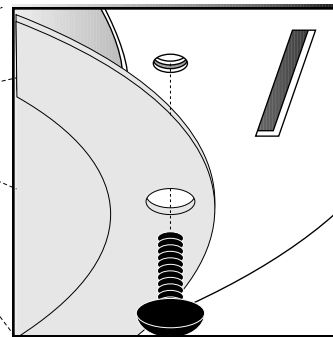
5 Connect ballast assembly to J-box for support, use box connector



6 Attach reflector to lamp holder by keyhole slots and tighten screws



7 Install reflector with lamps and re-install lens assembly



Delray reflectors are pre-cut to fit in existig holes when specified

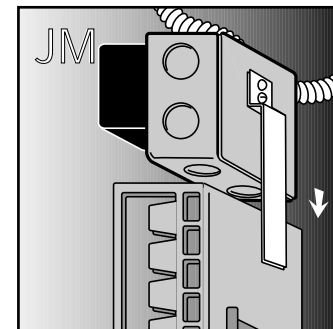
TRIM AND MOUNTING OPTIONS



SL Splay lens to replace damaged or missing trim



SBL Splay lens with baffle to replace damaged or missing trim



JM J-box mounting strap for ease of installation