

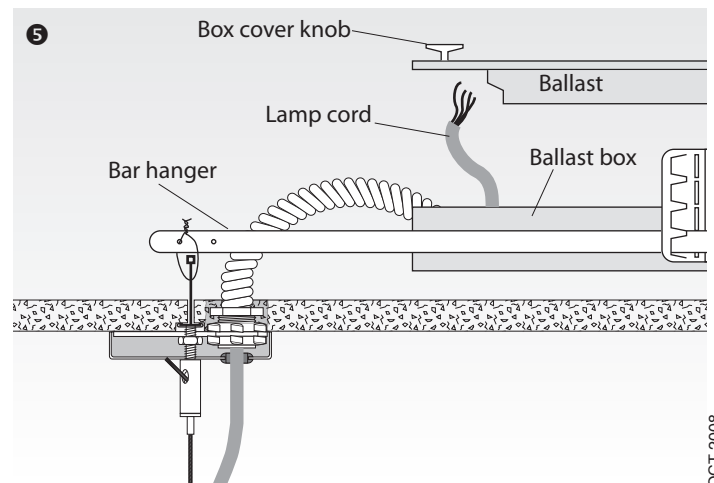
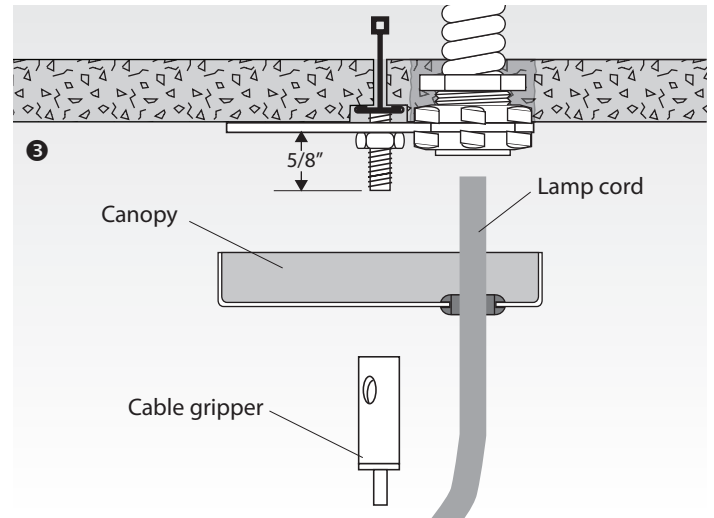
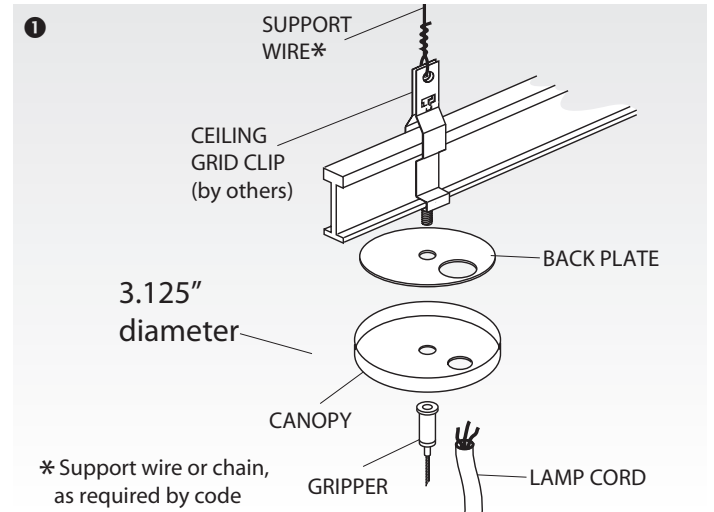
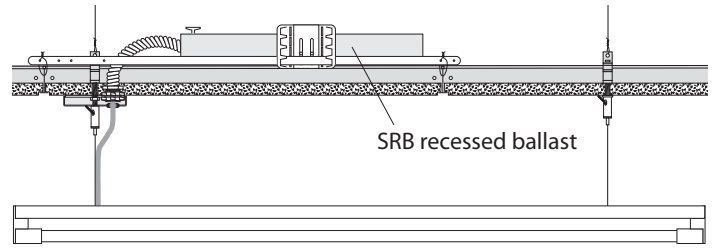
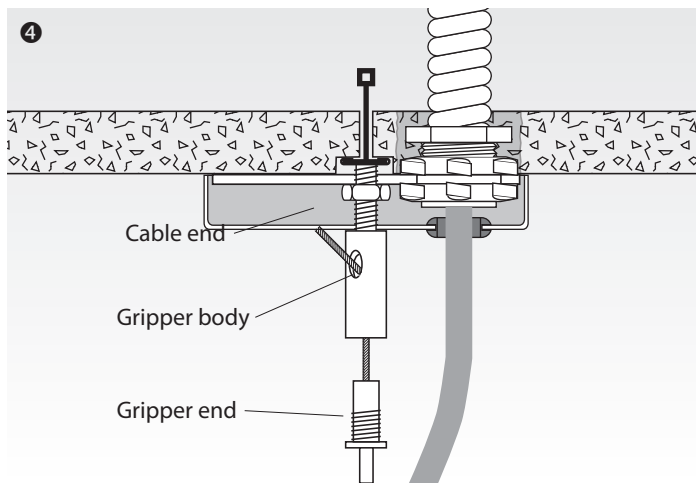
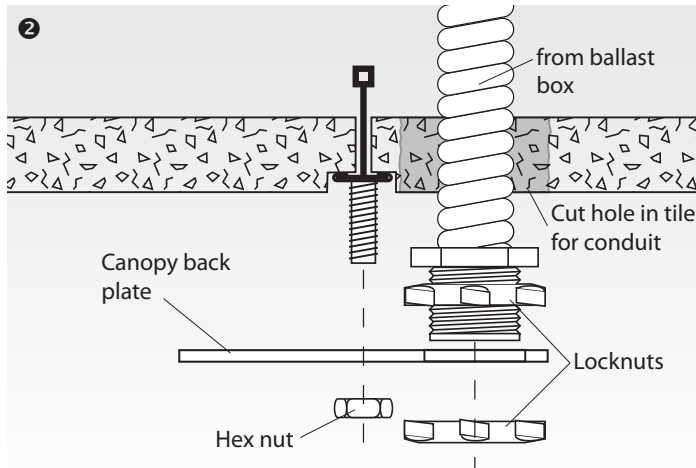
Must order option SRB (e.g., **ST44128.SRB**)

**WARNING:** disconnect main power at the source prior to installation!

Only qualified electricians should install Delray Lighting products.

Swing and Stick may be mounted directly to T-bar grid with T-bar grid clips (by others), using a 1/4 stud. Both feed and nonfeed suspension points mount to same type of 1/4-20 stud clips. (See following page for mounting between T-bar grid.)

- 1 T-bar studs with 1/4-20 thread (by others) must be purchased and clipped directly to 9/16" wide T-bar. Add support wire or chain, as required by code.
- 2 Attach canopy back plate to 1/4-20 stud with hex nut. Make notch in ceiling and attach conduit from ballast box to back plate with lock nuts.
- 3 Pass lamp cord through canopy and conduit. Attach canopy to 1/4-20 stud with cable gripper. Stud should not extend into gripper more than 5/16", or adjustability will be lost.
- 4 Twist off end of gripper and insert AC cable. Pass cable through gripper body and out side exit hole. Screw gripper into place. Adjust length and snip off excess, leaving 1" of cable out exit hole.
- 5 Mount ballast box to T-bar with bar hangers and attach with wire (or after market T-bar clips). Pull knob to remove box cover, adjust cord length, and cut and strip ends for insertion into ballast.



# SWING/STICK

## Off T-bar Pendant Suspension Installation ou de montage

Must order option SRB (e.g., **ST44128.SRB**)

**WARNING:** disconnect main power at the source prior to installation!

Only qualified electricians should install *Delray Lighting* products.

Swing and Stick may be mounted off a T-bar grid with additional support such as ceiling mounted rods or T-grid box hangers (by others), using a 1/4–20 stud. Both feed end and non-feed end will mount to the same 1/4–20 stud hardware. (See previous page for grid mounting in a T-bar ceiling.)

- 1 For mounting feed or non-feed. Position 1/4–20 studs from ceiling or T-grid box hanger (by others), to match fixture cable spacing. Attach cable gripper for non-feed end to stud. Be sure to allow no more than 5/16" of stud into gripper body
- 2 On feed end, attach canopy back plate to 1/4–20 stud with hex nut. Make hole in ceiling and attach conduit from ballast box to back plate with lock nuts.
- 3 Pass lamp cord through canopy and conduit. Attach canopy to 1/4-20 stud with cable gripper. Stud should not extend into gripper more than 5/16", or adjustability will be lost.
- 4 Twist off end of gripper and insert AC cable, pass cable through gripper body and out side exit hole. Screw gripper into place. Adjust length and snip off excess, leaving 1" of cable out of exit hole.
- 5 Mount ballast box to Tee bar with bar hangers and attach with wire or after market Tee bar clips. Pull knob to remove box cover, adjust cord length, cut and strip ends for insertion into ballast.

