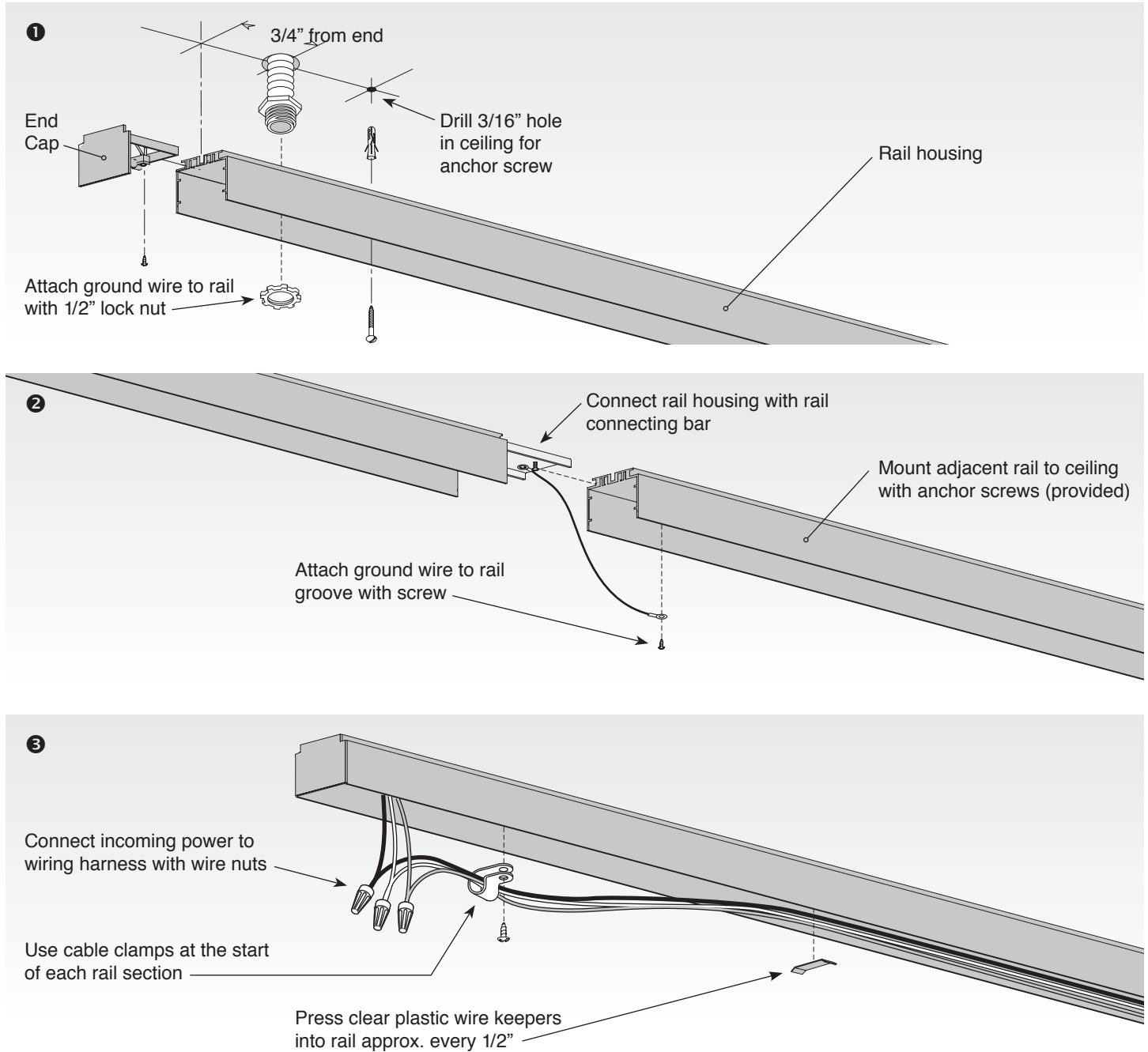


WARNING: disconnect main power at the source prior to installation!

Only qualified electricians should install Delray Lighting products.



4

Attach ballast wires to wiring harness at push-in connectors

Connect ground wire from rail to push-in ground terminal

5

Carefully insert wires into rail

Push fixture ballast plate into rail, being certain that wires are not pinched. Latch shown in open position.

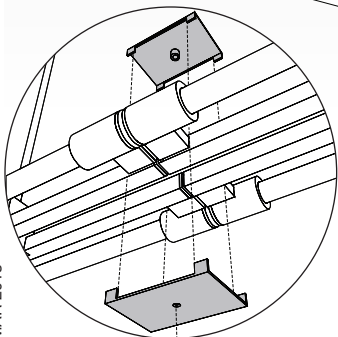
6

Connect ground wire from gap cover to rail section with screw

Lock fixture into place by turning latch clockwise

Insert gap cover adjacent to fixture and continue to next section

Join SW6/SW7 double lamp fixtures with the SCD double connector.



Suspension of Swing Rail System From Aircraft Cable

Begin run by locating rail housing marked power feed. Follow steps 1A, 2A and 3 through 6.

