

4' STICK

Standard Pendant Installation 1 Installation ou de montage

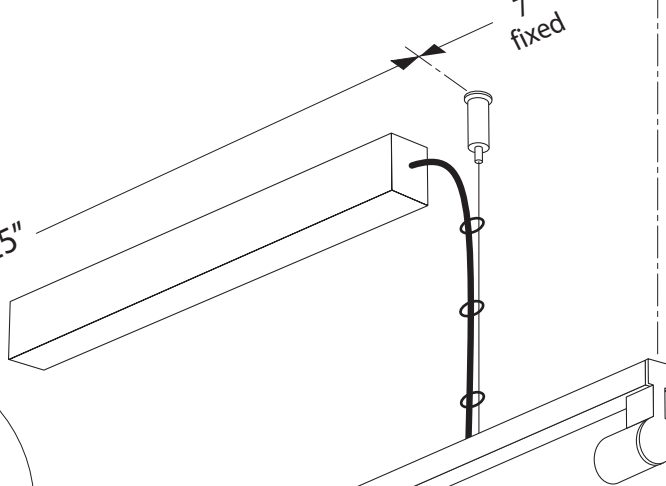
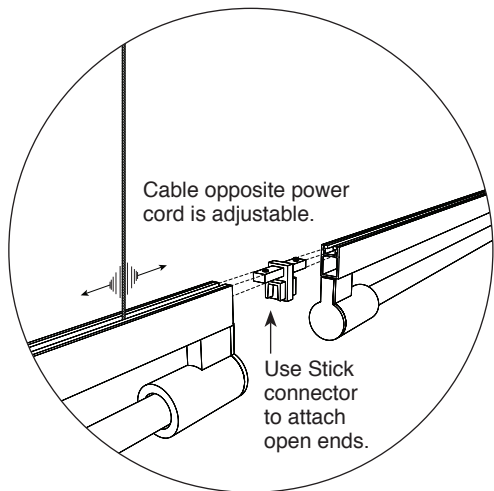
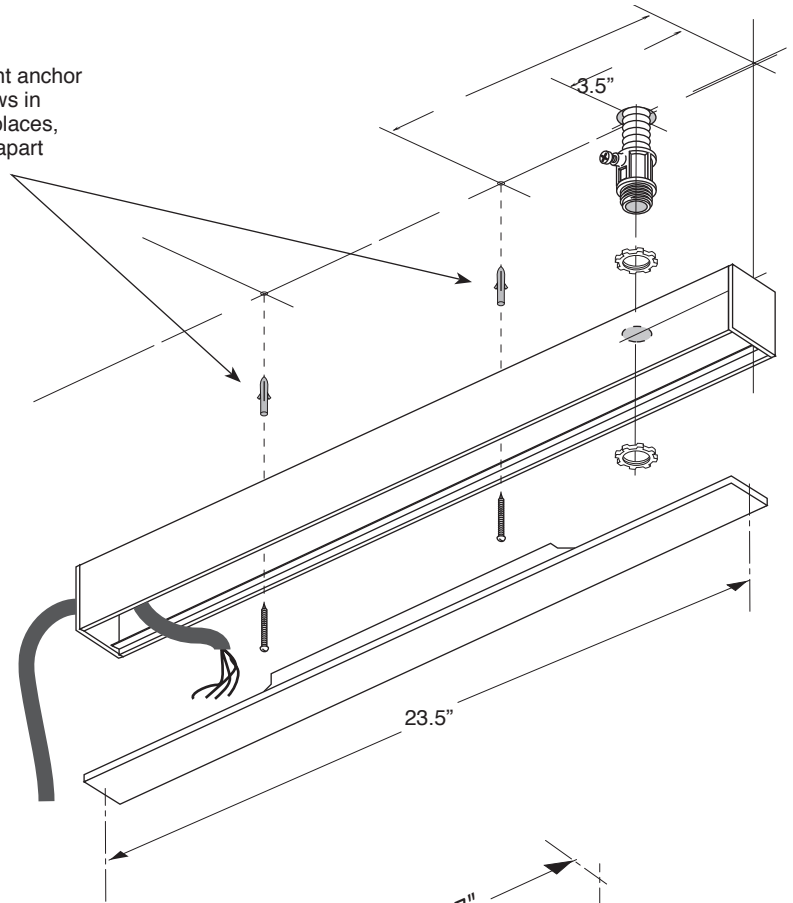
WARNING: disconnect main power at the source prior to installation!

Only qualified electricians should install Delray Lighting products.

- 1 Attach 1/2" conduit to back of ballast housing with locknut (by others). Use clear rubber O-rings (provided) to tie cable and cord together. Insert lamp cord into end of ballast holder and adjust length. Strip wire ends to 1/4" and insert into push button connectors on ballast (red to red, blue to blue, yellow to yellow) and screw down ground wire to ground terminal on backplate. Connect power to ballast and ground.
- 2 Mount cable holders at appropriate length using the screws provided. Insert cable ends into gripper and screw gripper into cable holder. Use side exit hole in gripper holder for cable. Adjust cable length to desired position. Snip off excess cable, leaving 1" of cable out of exit hole.
- 3 Slip socket covers over lamp and insert proper T5 lamp into socket and half turn to lock into place. Slide socket covers back into position.

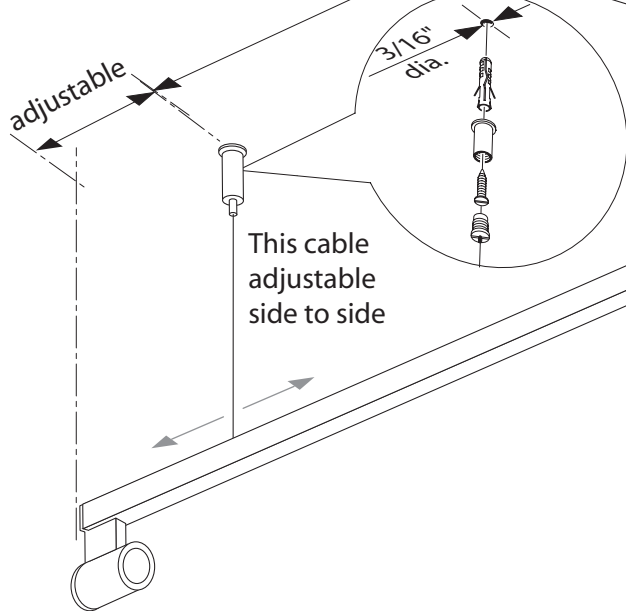
1

Mount anchor screws in two places, 9.6" apart

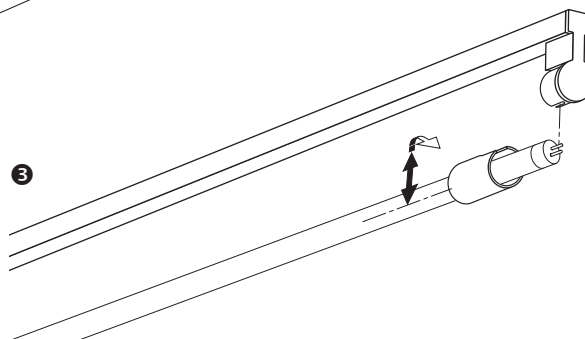


See page 3 for 8 ft. Stick dimensions.

2



3



**DELRAY
LIGHTING
INCORPORATED**

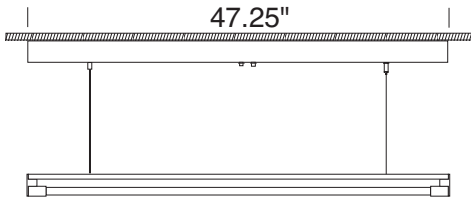
4' STICK

Standard Pendant Installation 2

Installation ou de montage

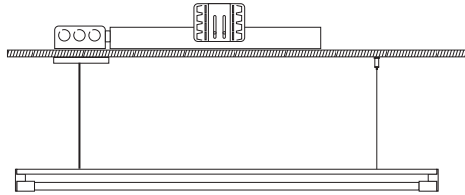
Emergency Ballast

Emergency ballast provides 1300 lumens for 90 minutes. Charge light and test switch are visible from below. On 2 lamp fixture, lamp closest to power cord gets emergency power. Maximum 4' pendant length recommended. Voltage must be specified. Order **SEM13**.



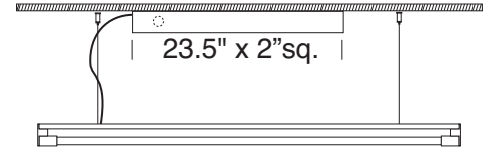
Recessed Ballast

For suspended ceilings only. Order **SWRB**.



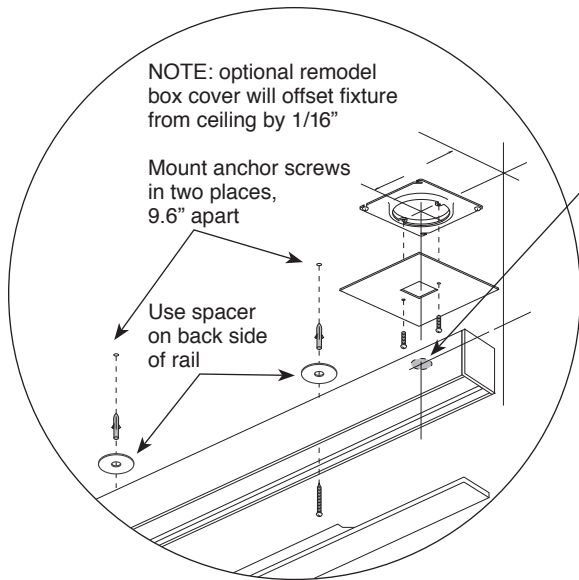
Thru Wiring

Replaces standard ballast canopy for 4' Stick. Specify hole on one or both sides. Allows up to 1/2" conduit with 3-in/3-out, #14 AWG. Order **SMB**.



Optional J-Box Mount

(Order Box Cover S100P)



NOTE: optional remodel box cover will offset fixture from ceiling by 1/16"

Mount anchor screws in two places, 9.6" apart

Use spacer on back side of rail

Power feed may be centered by drilling a new opening.

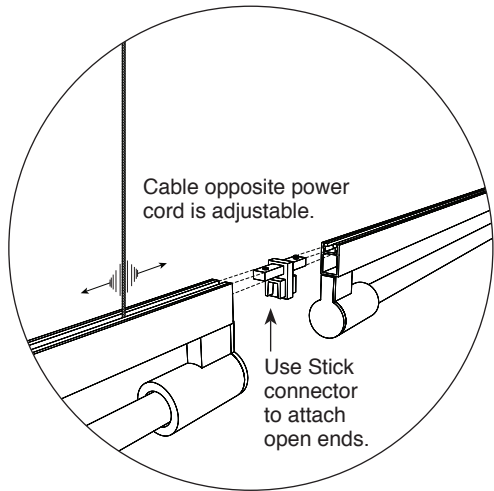
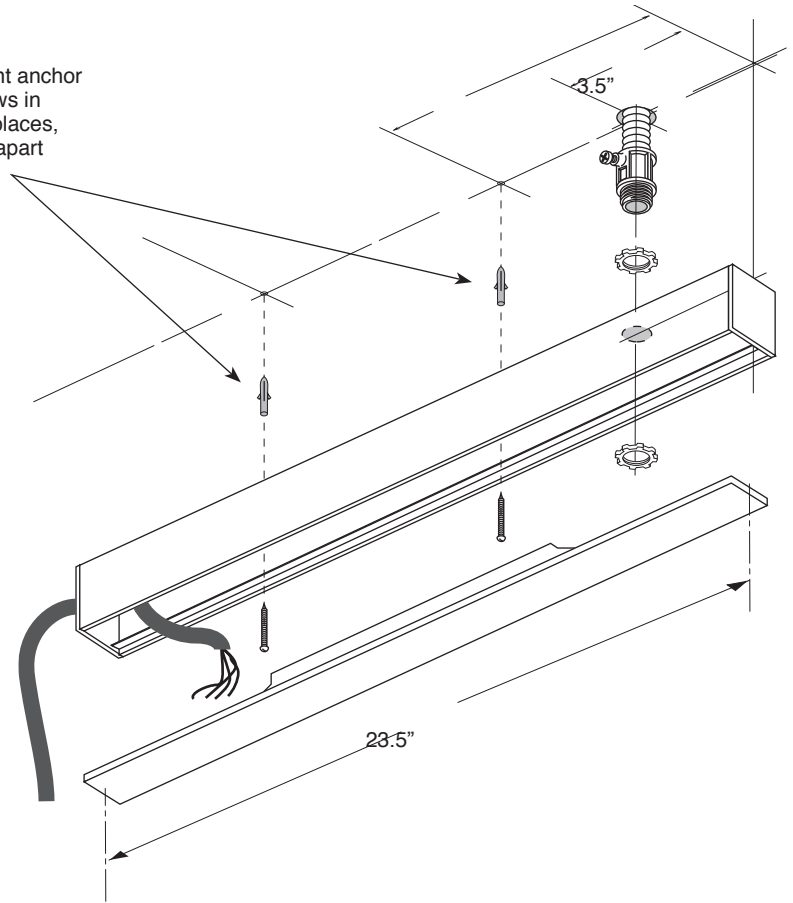
WARNING: disconnect main power at the source prior to installation!

Only qualified electricians should install Delray Lighting products.

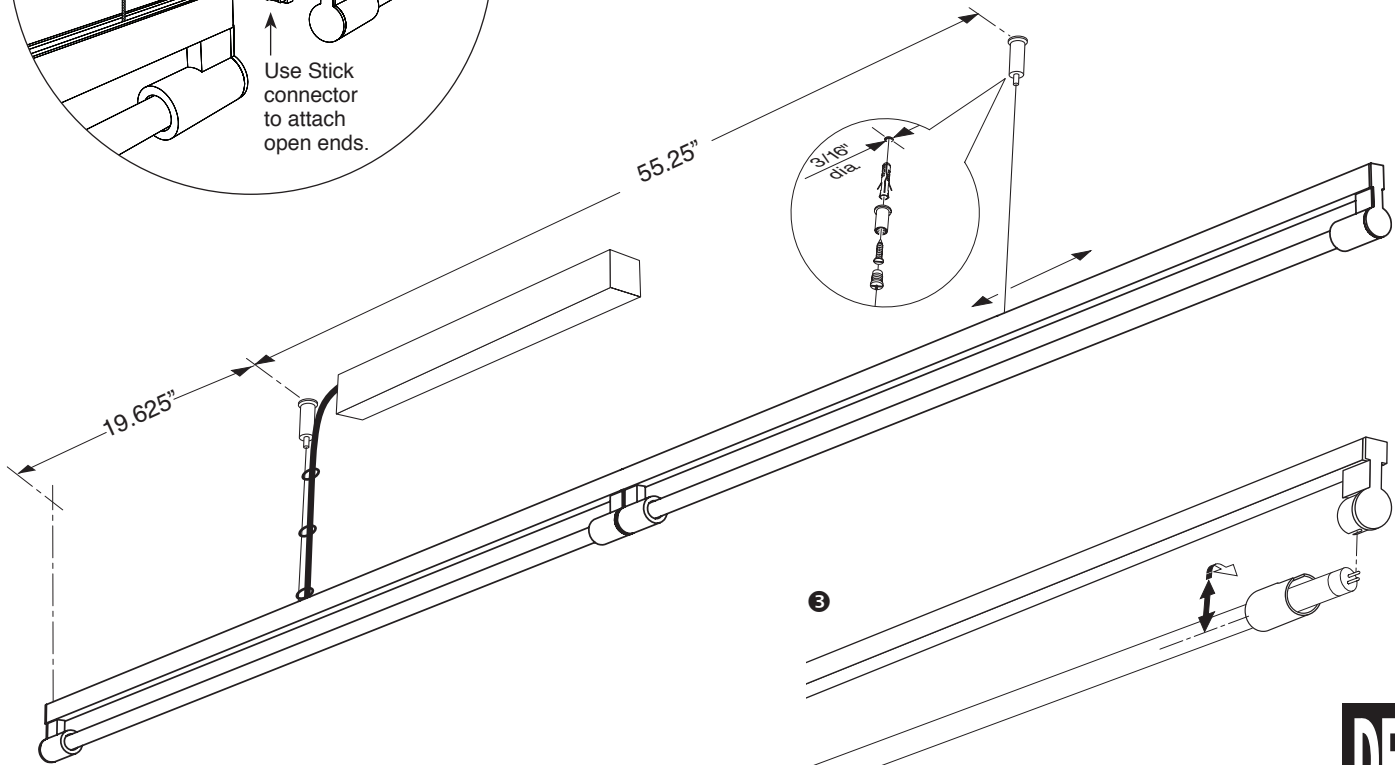
- 1 Attach 1/2" conduit to back of ballast housing with locknut (by others). Use clear rubber O-rings (provided) to tie cable and cord together. Insert lamp cord into end of ballast holder and adjust length. Strip wire ends to 1/4" and insert into push button connectors on ballast (red to red, blue to blue, yellow to yellow) and screw down ground wire to ground terminal on backplate. Connect power to ballast and ground.
- 2 Mount cable holders at appropriate length using the screws provided. Insert cable ends into gripper and screw gripper into cable holder. Use side exit hole in gripper holder for cable. Adjust cable length to desired position. Snip off excess cable, leaving 1" of cable out of exit hole.
- 3 Slip socket covers over lamp and insert proper T5 lamp into socket and half turn to lock into place. Slide socket covers back into position.

1

Mount anchor screws in two places, 9.6" apart



2



3

8' STICK

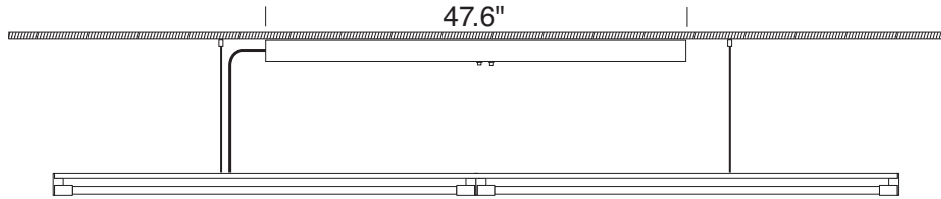
Standard Pendant Installation 4

Installation ou de montage

Emergency Ballast

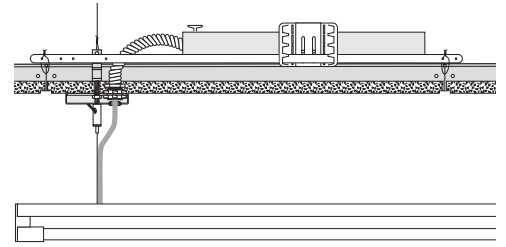
Emergency ballast provides 1300 lumens for 90 minutes. Charge light and test switch are visible from below. On 2 lamp fixture, lamp closest to power

cord gets emergency power. Maximum 4' pendant length recommended. Voltage must be specified. Order **SEM13**.



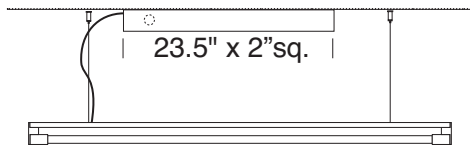
Recessed Ballast

For suspended ceilings only. Order **SWRB**.

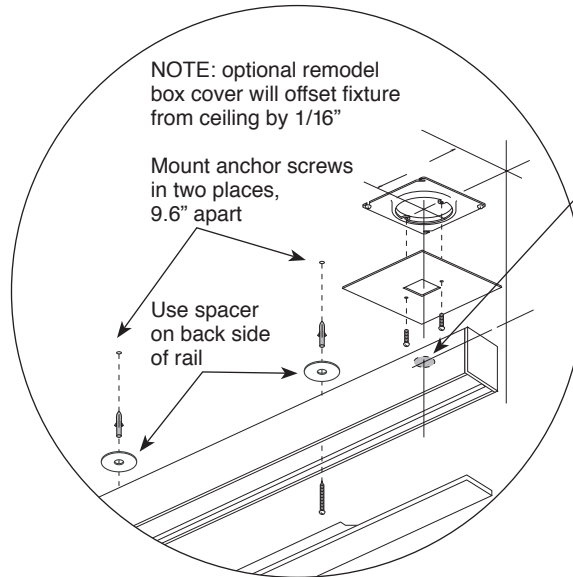


Thru Wiring

Replaces standard ballast canopy for 4' Stick. Specify hole on one or both sides. Allows up to 1/2" conduit with 3-in/3-out, #14 AWG. Order **SMB**.



Optional J-Box Mount (Order Box Cover S100P)



Dimming

Due to lamp lead length limitations for dimming ballasts, all fixtures with 2 lamps require 4 ft. ballast housings with a maximum cord drop of 3 ft. on both sides of fixture, to accommodate 2 ballasts.

Power Enters at Center

