

ROCKET/STELLAR LED

Open Aperture A-Line LED Install Installation ou de montage

For Models:

IL7302/03
IL7712/13
IL7812/13



Color Code:

Black = Line voltage
White = Neutral
Green = Ground
Red = LED positive
Blue = LED negative

Dimming (cap if unused):

Purple = 0-10V
Gray = 0-10V

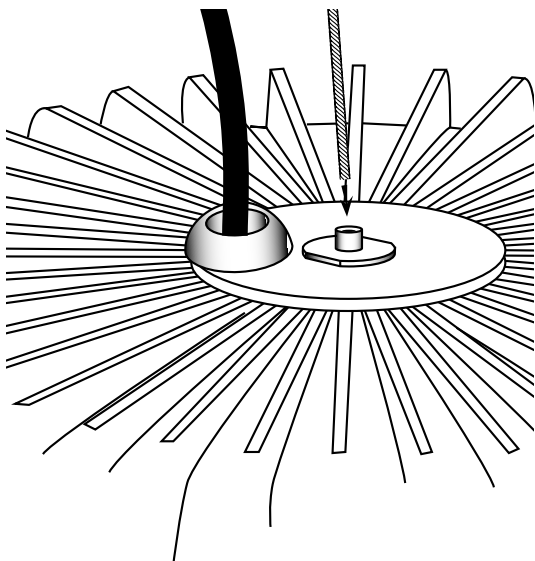
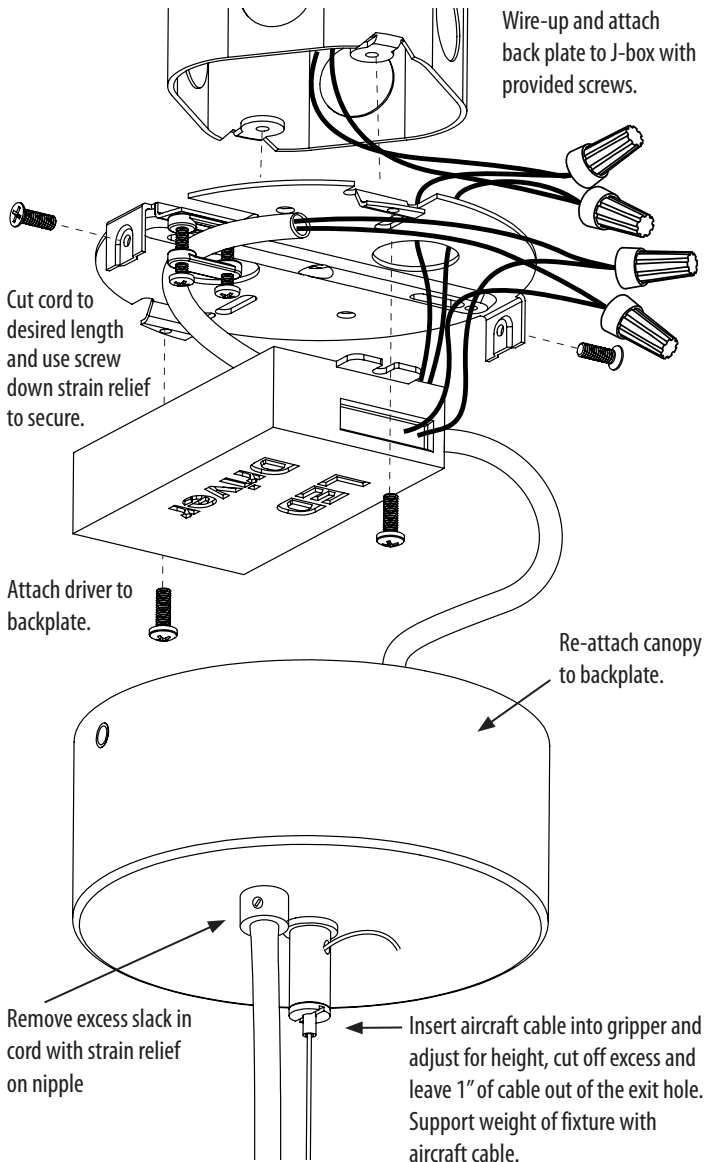
WARNING: disconnect main power at the source prior to installation!
Only qualified electricians should install Delray Lighting products.

- Read instructions and review diagrams prior to installation.
- Before beginning installation, turn off circuit breaker or remove fuse at fuse box to disconnect power. Turning off a light switch is insufficient to prevent electrical shock.
- All electrical connections must be in compliance with local codes, ordinances and the National Electrical Code. If you are unfamiliar with these methods of electrical wiring installation, secure the services of a qualified, licensed electrician.

**DELRAY
LIGHTING
INCORPORATED**

A-Line LED

MAR 2017



NOTE: These instructions cannot address all possible conditions and circumstance that may occur during installation. While Delray products conform to the highest quality and safety standards, safe installation also requires caution, common sense, and careful implementation of professional electrical installation methods.

Carefully follow driver wiring diagrams and instructions included with the fixture. Use only cUL Listed wire connectors suitable for the size, type, and number of conductors. No loose wires or wire strands should be remain.

Secure wire connectors with only cUL Listed electrical tape and wire nuts.