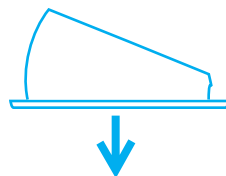
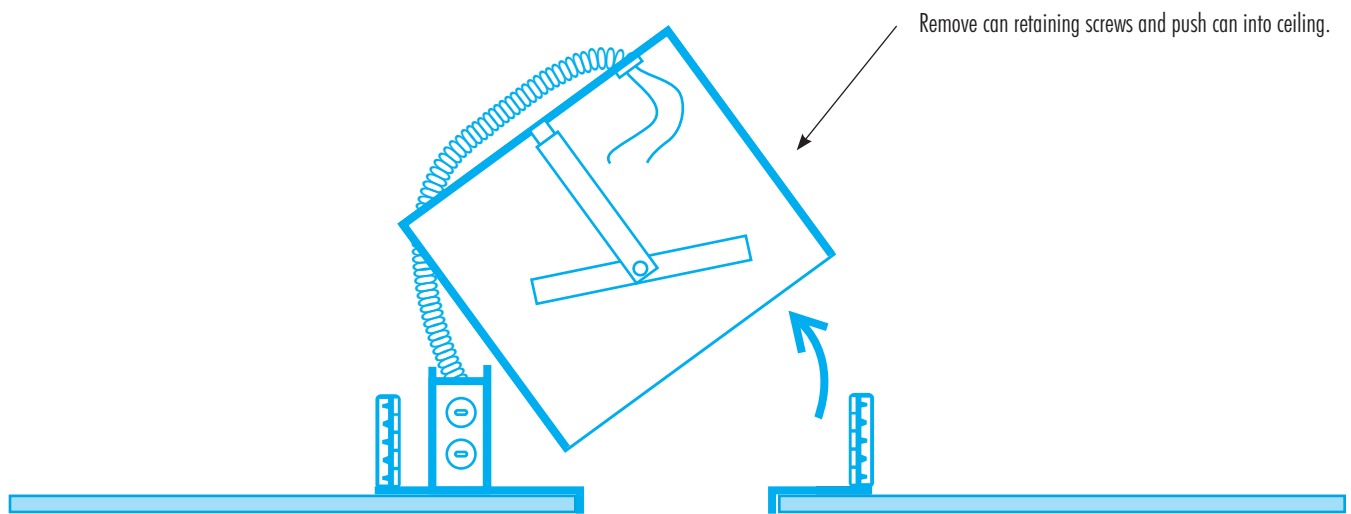
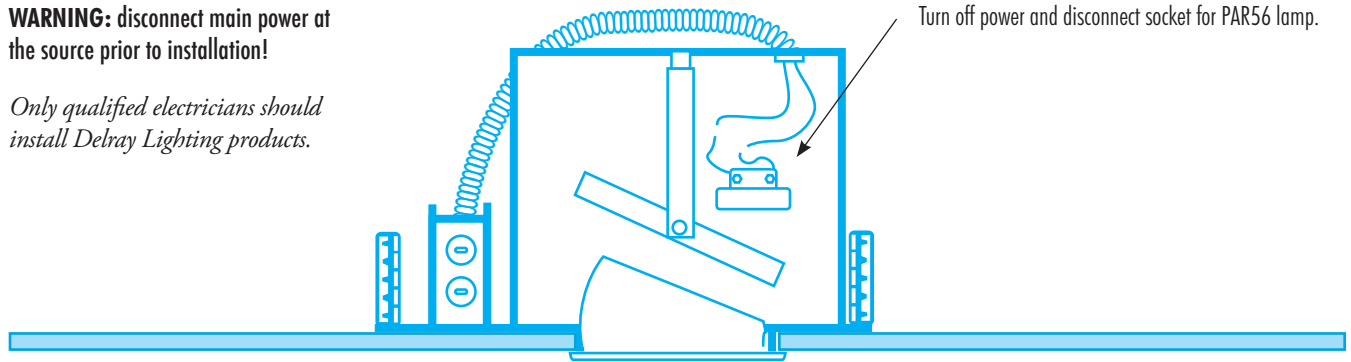


# PAR 38

## Retrofit Instructions

**WARNING:** disconnect main power at the source prior to installation!

*Only qualified electricians should install Delray Lighting products.*



Pull down trim from frame.

