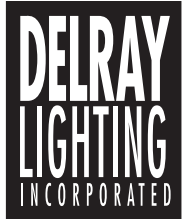
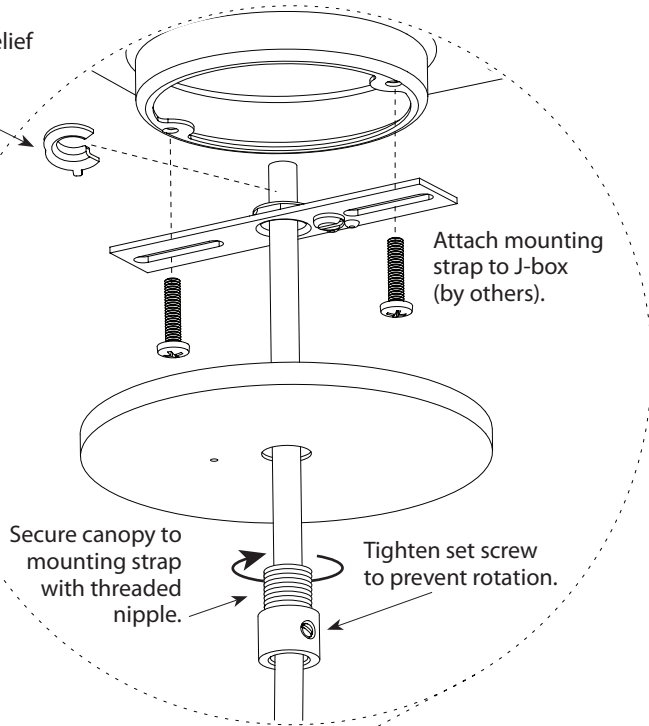


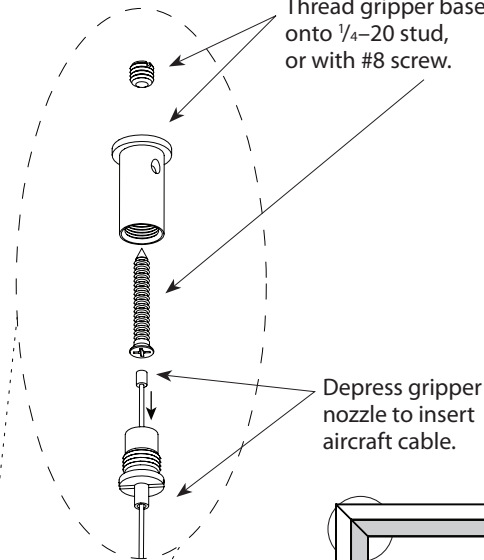
SLRD Mount Option Installation ou de montage



Use crimp strain relief on lamp cord, and wire up



Thread gripper base onto 1/4-20 stud, or with #8 screw.



WARNING:

Disconnect main power at the source prior to installation!
Only qualified electricians should install Delray Lighting products.

