

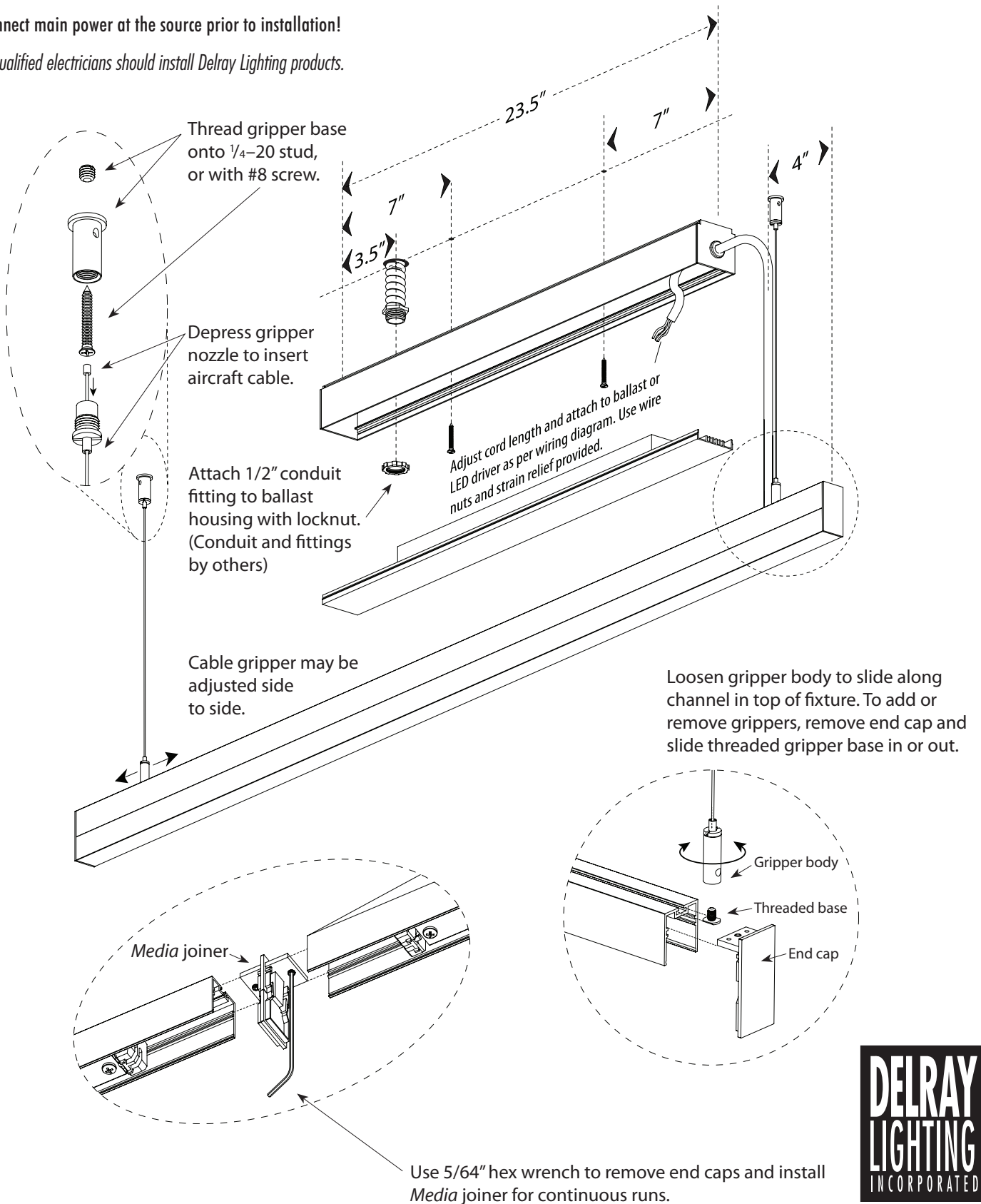
# MEDIA – LED

## Pendant Standard Mount Installation ou de montage

### WARNING:

Disconnect main power at the source prior to installation!

Only qualified electricians should install Delray Lighting products.



# MEDIA LED

## On T-bar Pendant Suspension Installation ou de montage

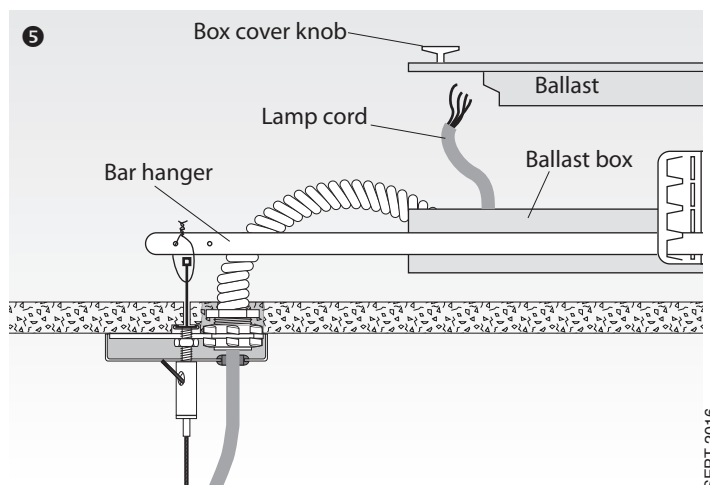
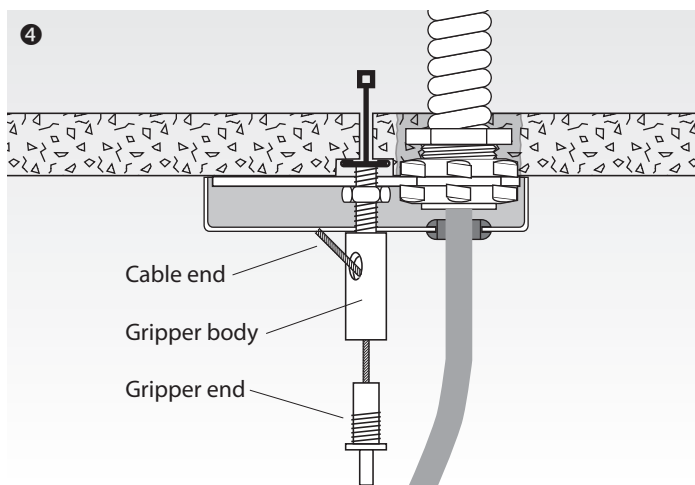
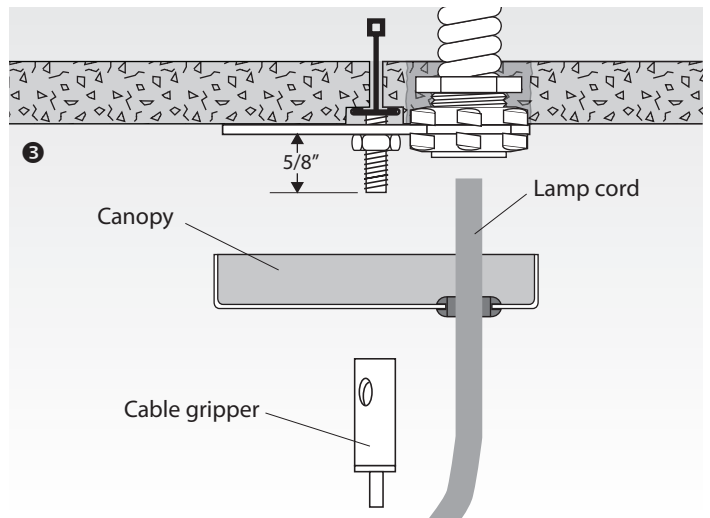
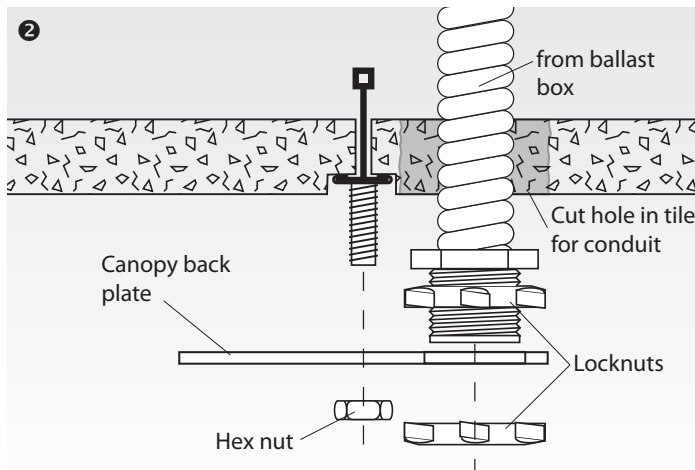
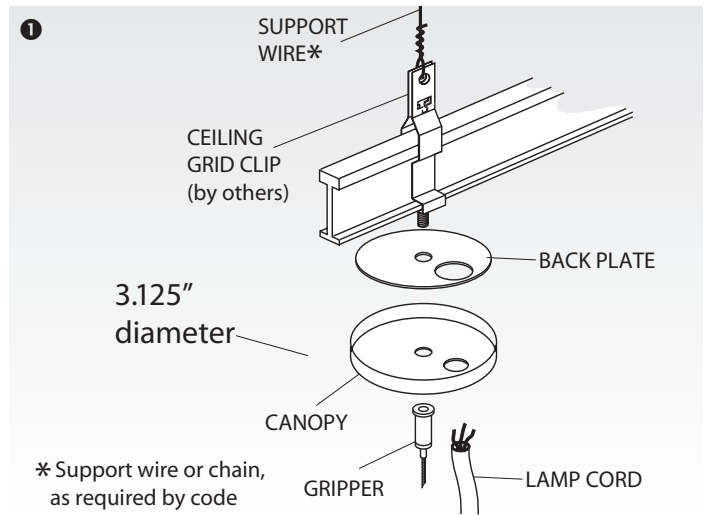
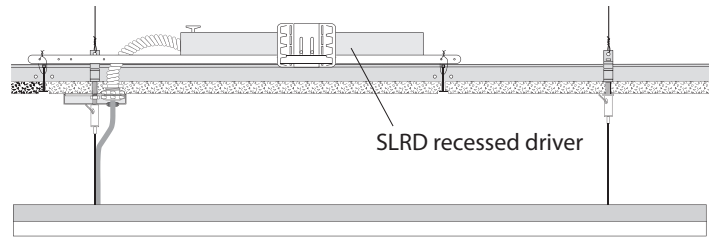
Must order option **SLRD** for LED. (e.g., **ST1P4HOW30.SLRD**)

**WARNING:** disconnect main power at the source prior to installation!

Only qualified electricians should install Delray Lighting products.

Media LED may be mounted directly to T-bar grid with T-bar grid clips (by others), using a 1/4-20 stud. Both feed and nonfeed suspension points mount to same type of 1/4-20 stud clips. (See following page for mounting between T-bar grid.)

- 1 T-bar studs with 1/4-20 thread (by others) must be purchased and clipped directly to 9/16" wide T-bar. Add support wire or chain, as required by code.
- 2 Attach canopy back plate to 1/4-20 stud with hex nut. Make notch in ceiling and attach conduit from ballast box to back plate with lock nuts.
- 3 Pass lamp cord through canopy and conduit. Attach canopy to 1/4-20 stud with cable gripper. Stud should not extend into gripper more than 5/16", or adjustability will be lost.
- 4 Twist off end of gripper and insert AC cable. Pass cable through gripper body and out side exit hole. Screw gripper into place. Adjust length and snip off excess, leaving 1" of cable out exit hole.
- 5 Mount ballast box to T-bar with bar hangers and attach with wire (or after market T-bar clips). Pull knob to remove box cover, adjust cord length, and cut and strip ends for insertion into ballast.



# MEDIA LED

## Off T-bar Pendant Suspension Installation ou de montage

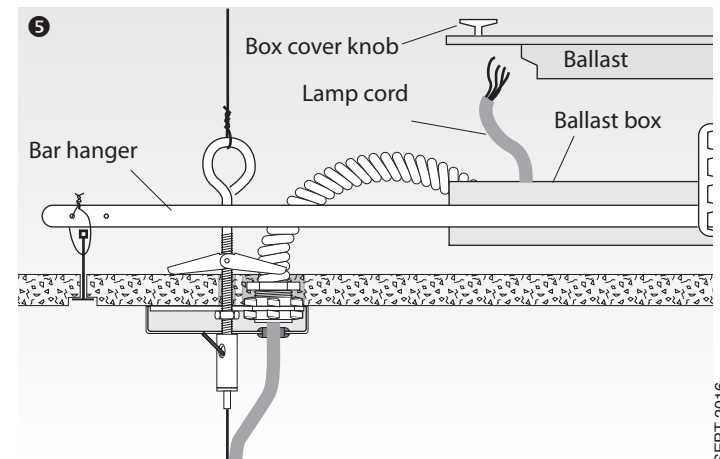
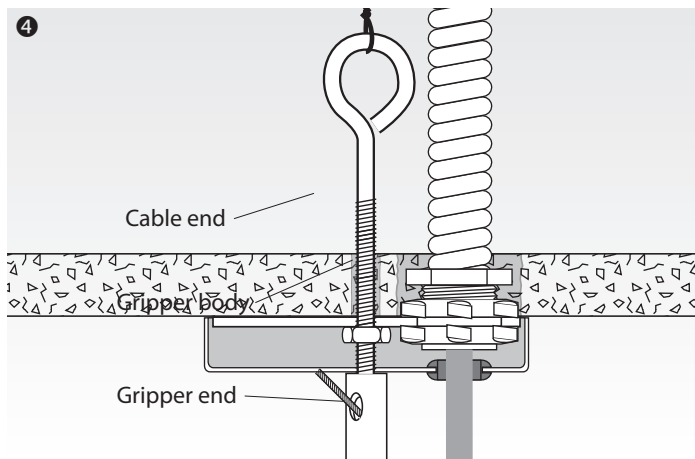
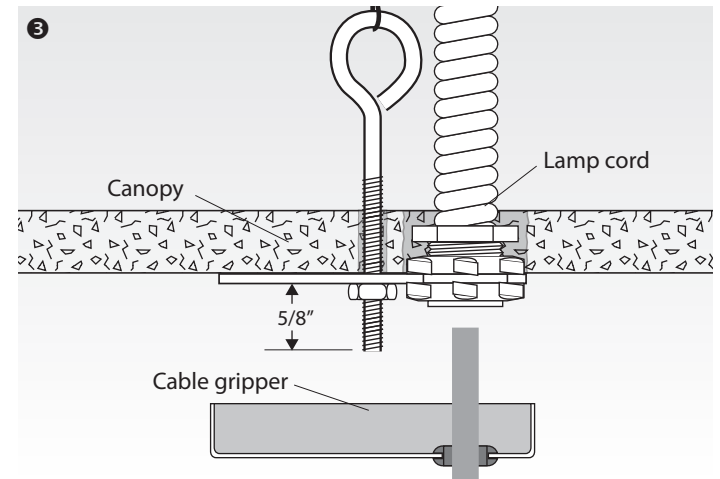
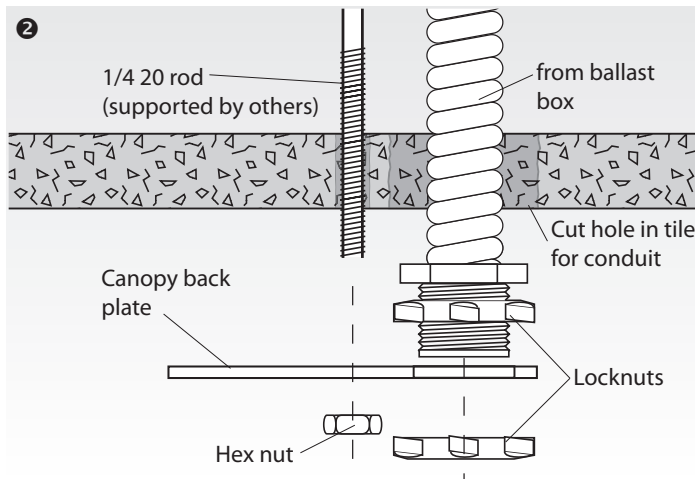
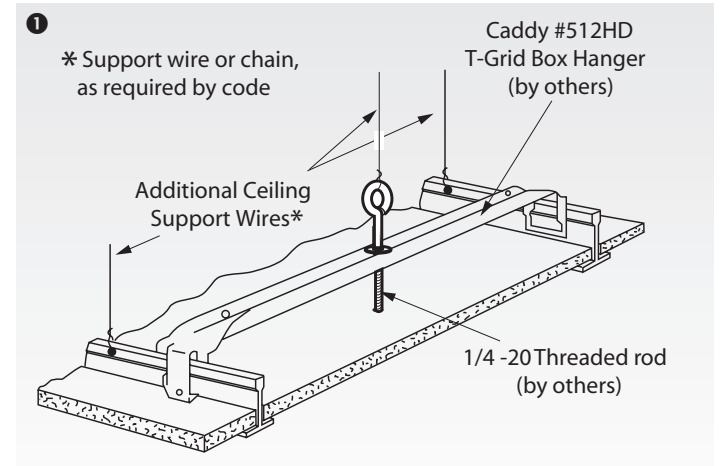
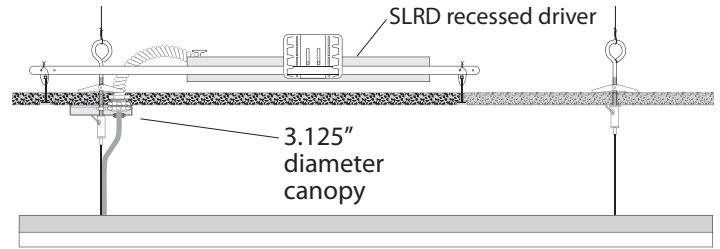
Must order option **SLRD** for LED. (e.g., **ST1P4HOW30.SLRD**)

**WARNING:** disconnect main power at the source prior to installation!

Only qualified electricians should install Delray Lighting products.

Media LED may be mounted off a T-bar grid with additional support such as ceiling mounted rods or T-grid box hangers (by others), using a 1/4–20 stud. Both feed end and non-feed end will mount to the same 1/4–20 stud hardware. (See previous page for grid mounting in a T-bar ceiling.)

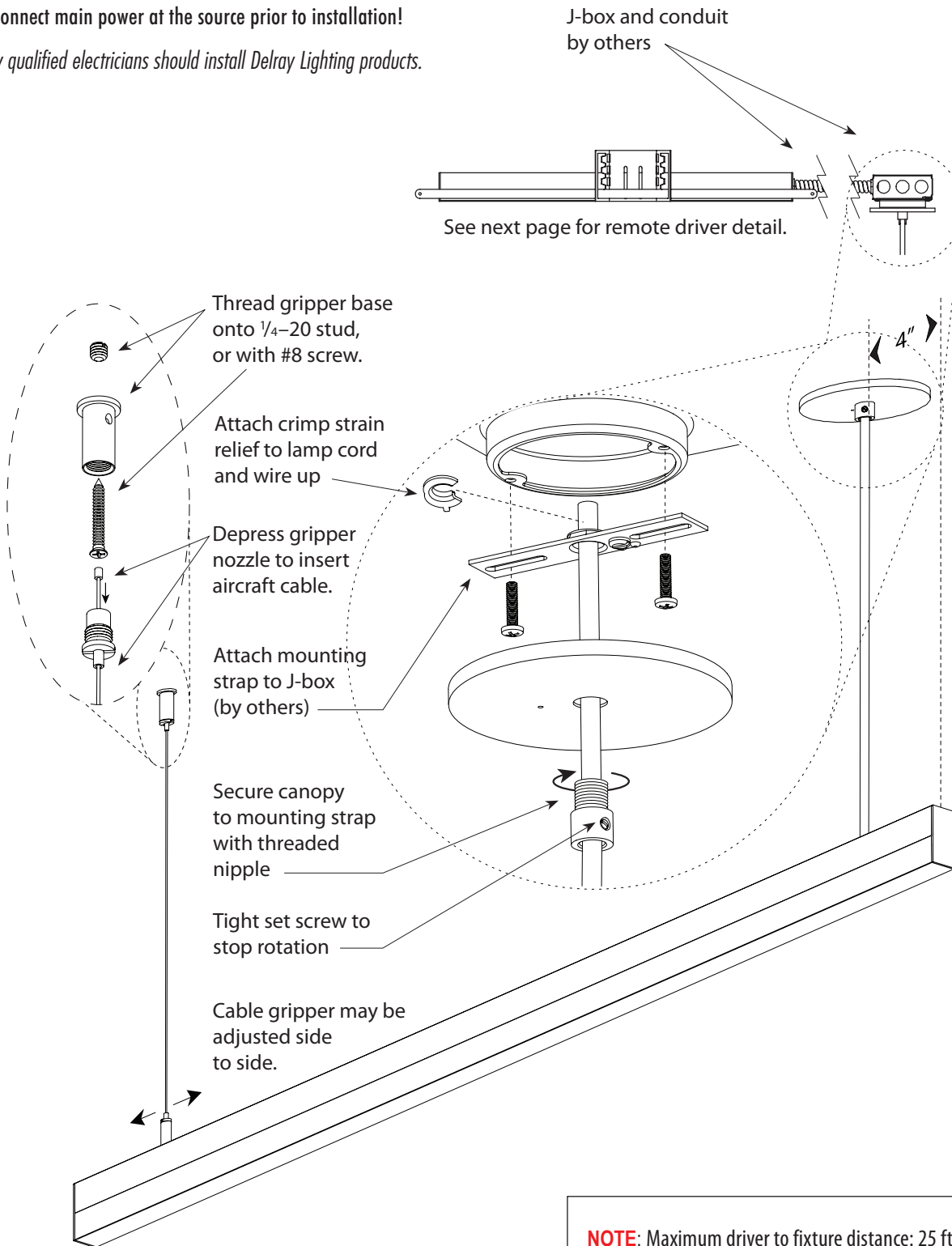
- 1 For mounting feed or non-feed. Position 1/4–20 studs from ceiling or T-Grid box hanger (by others), to match fixture cable spacing. Attach cable gripper for non-feed end to stud. Be sure to allow no more than 5/16" of stud into gripper body
- 2 On feed end, attach canopy back plate to 1/4–20 stud with hex nut. Make hole in ceiling and attach conduit from ballast box to back plate with lock nuts.
- 3 Pass lamp cord through canopy and conduit. Attach canopy to 1/4–20 stud with cable gripper. Stud should not extend into gripper more than 5/16", or adjustability will be lost.
- 4 Twist off end of gripper and insert AC cable, pass cable through gripper body and out side exit hole. Screw gripper into place. Adjust length and snip off excess, leaving 1" of cable out of exit hole.
- 5 Mount ballast box to T-bar with bar hangers and attach with wire or after market T-bar clips. Pull knob to remove box cover, adjust cord length, cut and strip ends for insertion into ballast.



### WARNING:

Disconnect main power at the source prior to installation!

Only qualified electricians should install Delray Lighting products.



**NOTE:** Maximum driver to fixture distance: 25 ft.

Multiple drivers must be mounted no less than 4 inches apart side-by-side, and 1 inch apart end-to-end, to avoid overheating.

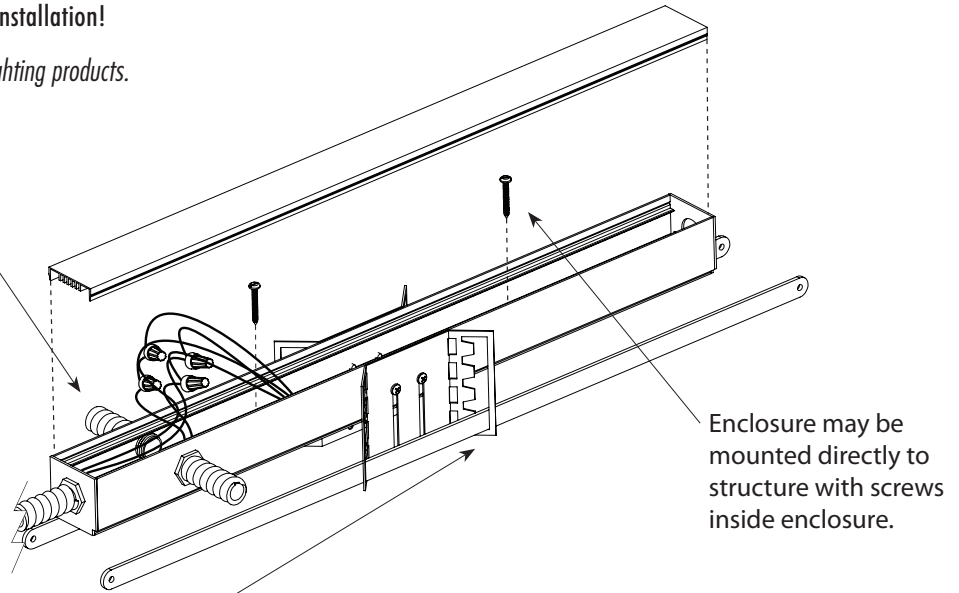
### WARNING:

Disconnect main power at the source prior to installation!

Only qualified electricians should install Delray Lighting products.

Enclosure has two knockouts for 1/2" conduit fittings, and may be ordered with optional end caps (shown).

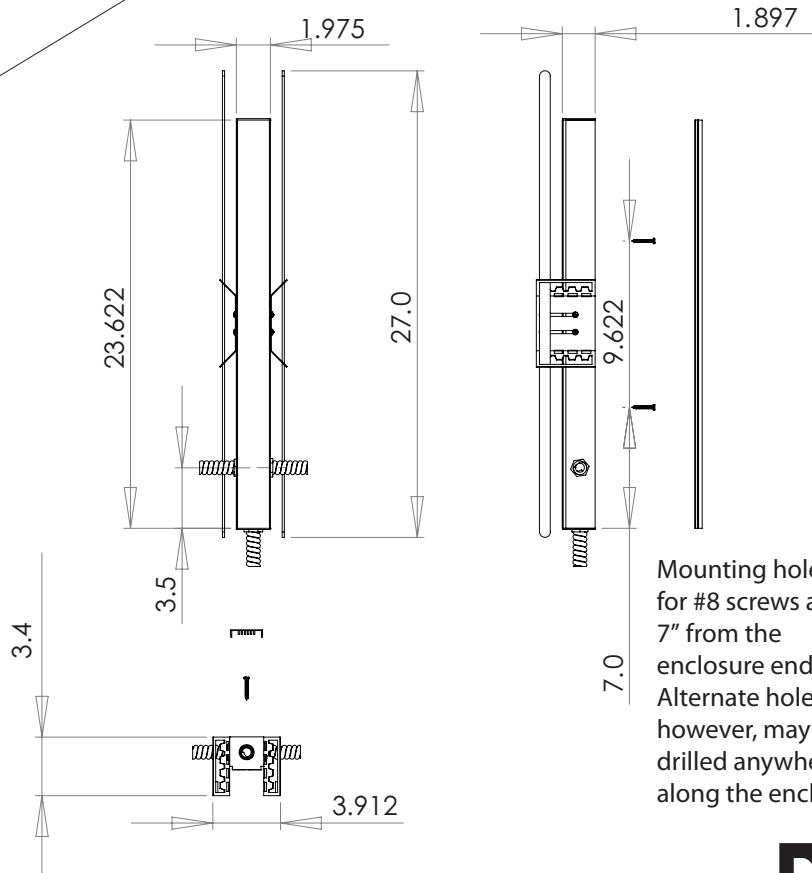
Knockouts are located 3 1/2" from the end of the enclosure.



Enclosure may be mounted directly to structure with screws inside enclosure.

To mount in suspended ceilings, use removable bar hangers.

**NOTE:** multiple drivers must be mounted no less than 4 inches apart side-by-side, and 1 inch apart end-to-end, to avoid overheating.



Mounting holes for #8 screws are 7" from the enclosure ends. Alternate holes, however, may be drilled anywhere along the enclosure.

**WARNING** Risk of fire or electric shock. Only qualified, licensed electricians should install Delray Lighting products.

1. Read and review all instructions and diagrams prior to installation.
2. Disconnect power prior to installation. Turn off circuit breaker or remove fuse from fuse panel. (Turning off the light switch is insufficient to safeguard against electric shock.)
3. Electrical connections must conform to local codes and ordinances, or the National Electrical Code.

4. Wire the luminaire following the wiring diagram on the ballast, or inside the box. Use UL listed wire connectors suitable for the size, type, and number of conductors. No loose strands or wires should be present. Secure wire connectors with UL listed electrical tape and wire nuts.
5. Install lamps (not included). Do not exceed recommended wattage.
6. Restore electricity and test fixture.

NOTE: These safeguards and instructions are not intended to cover all possible conditions and circumstances. Proceed with caution; utilizing established professional electrical installation methods, tools, and supplies.