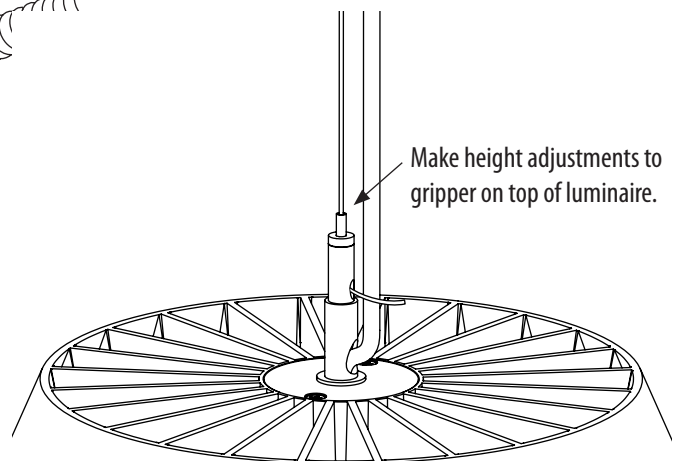
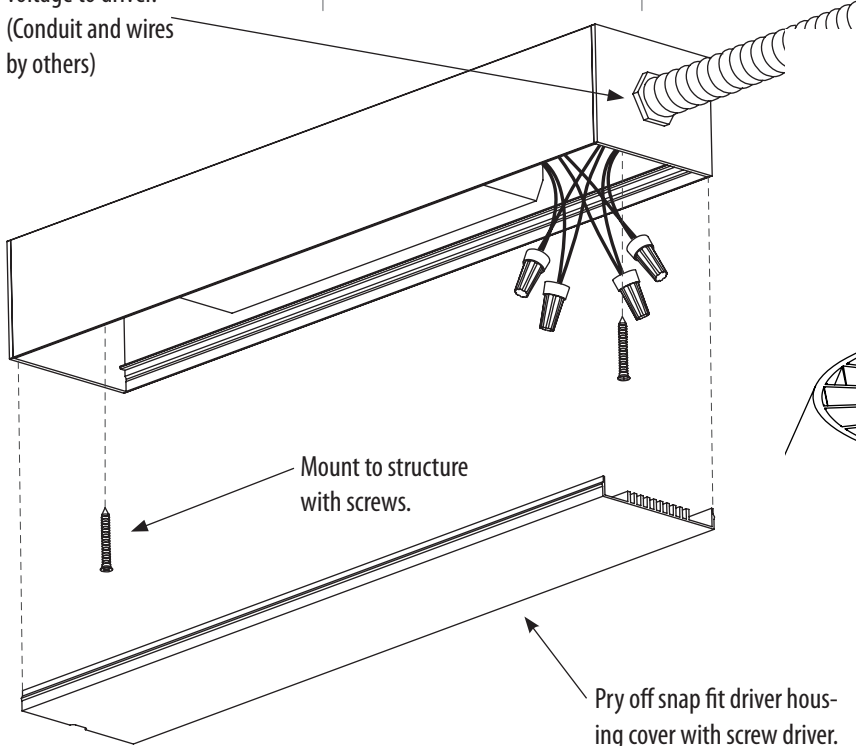
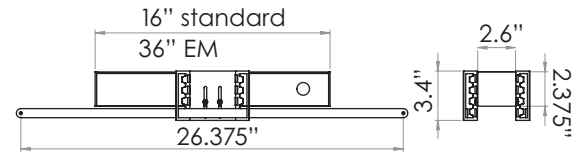
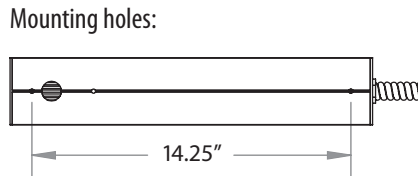
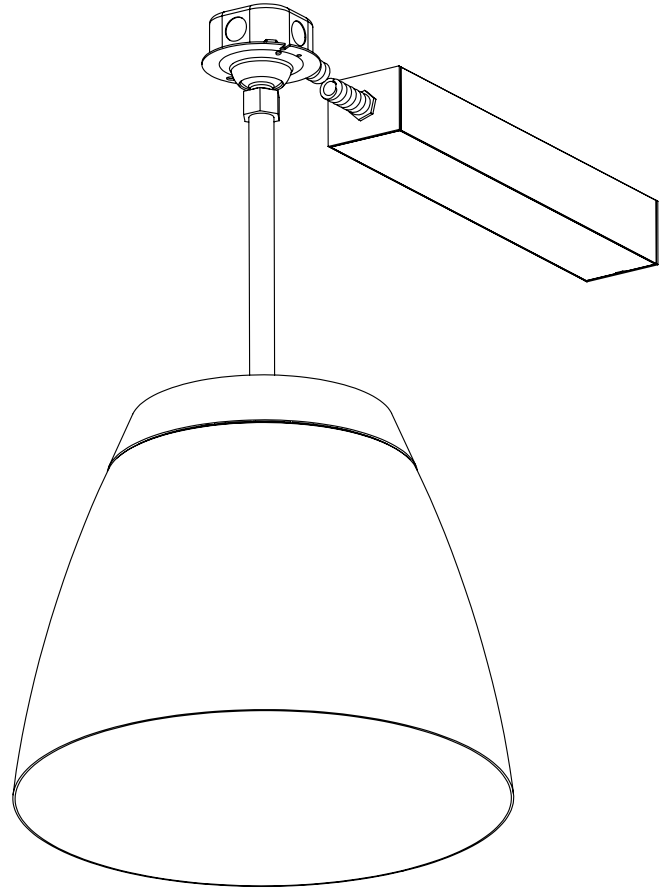
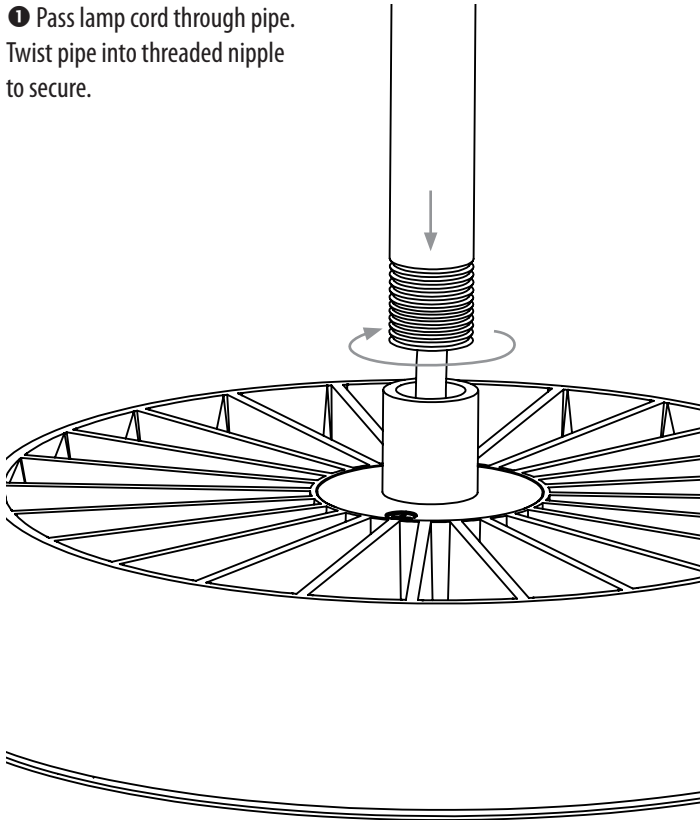


Drivers must remain accessible after finished installation. Driver housings must not be mounted closer than 4 inches apart. Maximum distance from lamp to driver is 100 feet, with 10AWG wire.

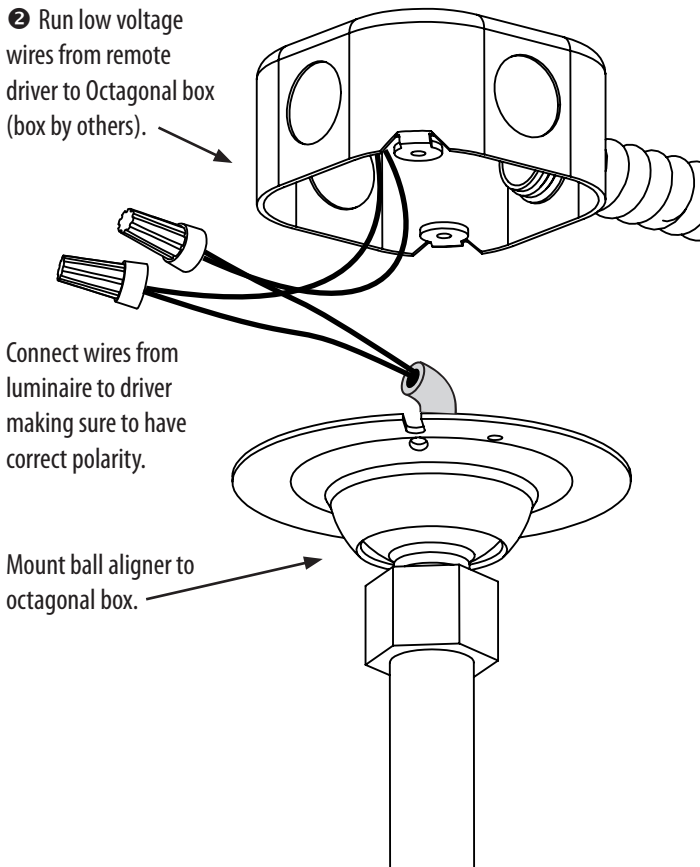
Attach conduit from mounting box to driver housing. Run appropriate wires for LEDs and line voltage to driver. (Conduit and wires by others)



❶ Pass lamp cord through pipe. Twist pipe into threaded nipple to secure.



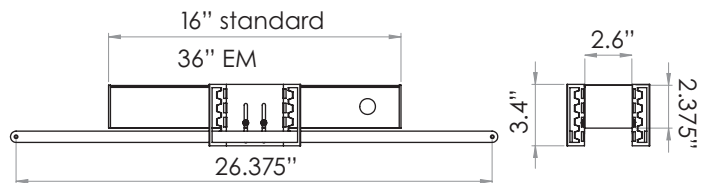
❷ Run low voltage wires from remote driver to Octagonal box (box by others).



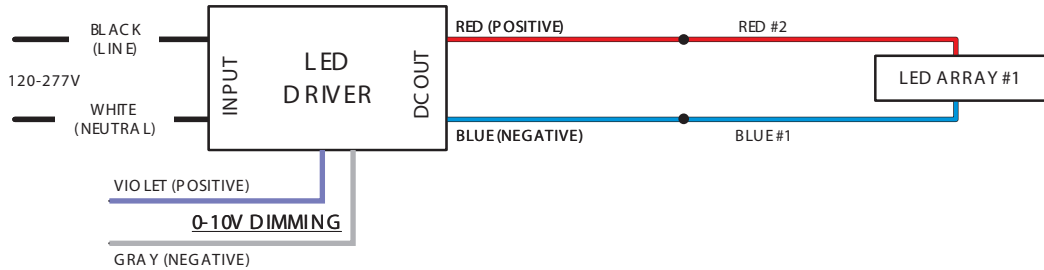
Connect wires from luminaire to driver making sure to have correct polarity.

Mount ball aligner to octagonal box.

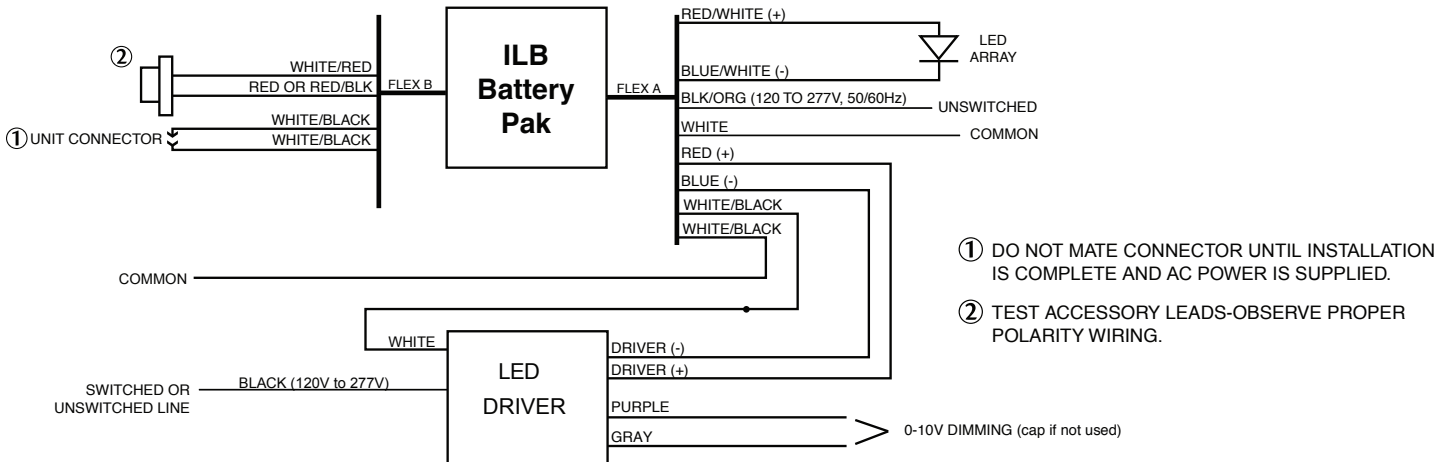
Drivers must remain accessible after finished installation. Driver housings must not be mounted closer than 4 inches apart. Maximum distance from lamp to driver is 100 feet, with 10AWG wire.



### Wiring Diagram



### Wiring Diagram | Emergency Backup



**WARNING** Risk of fire or electric shock. Installation requires knowledge of LED light fixture electrical systems. Installation should only be done by a qualified, licensed electrician.

1. Read and review all instructions and wiring diagrams thoroughly prior to installation.
2. All electrical connections must be made in compliance with local codes and ordinances, or the National Electrical Code. If you are unfamiliar with those codes, please consult a qualified, licensed electrician.
3. Before beginning installation, disconnect the power by turning off the circuit breaker or by removing the fuse at the fuse box. Turning the power off using the light switch is insufficient to prevent electrical shock.
4. Wire the luminaire following the wiring diagram. Use U.L. Listed wire connectors suitable for the size, type, and number of conductors. No loose wires should remain after installation. Secure wire connectors with U.L. listed electrical tape and wire nuts. Restore the electricity, test, and enjoy this Delray Lighting fixture.

**NOTE:** the safeguards and instructions appearing in this manual are not meant to address all possible conditions and circumstances that may arise. It must be understood that caution, common sense, and best trade practices are factors that cannot be built into any product. Those factors must be supplied by the person(s) installing and operating the lighting fixture.