

# KONE3 LED

## Open Aperture A-Line LED Pendant Install Installation ou de montage

Wire-up and attach  
backplate to J-box

Secure lamp cord with  
screw-down strain relief.

Attach driver to  
backplate with screws.

Insert aircraft cable into gripper  
and adjust for height, cut off  
excess and leave 1" of cable  
out of the exit hole.

Use screws too attach glass shade assembly  
to socket housing.

**WARNING:** disconnect main power at the source prior to installation!  
*Only qualified electricians should install Delray Lighting products.*

*See additional safeguards on next page.*

### Color Code:

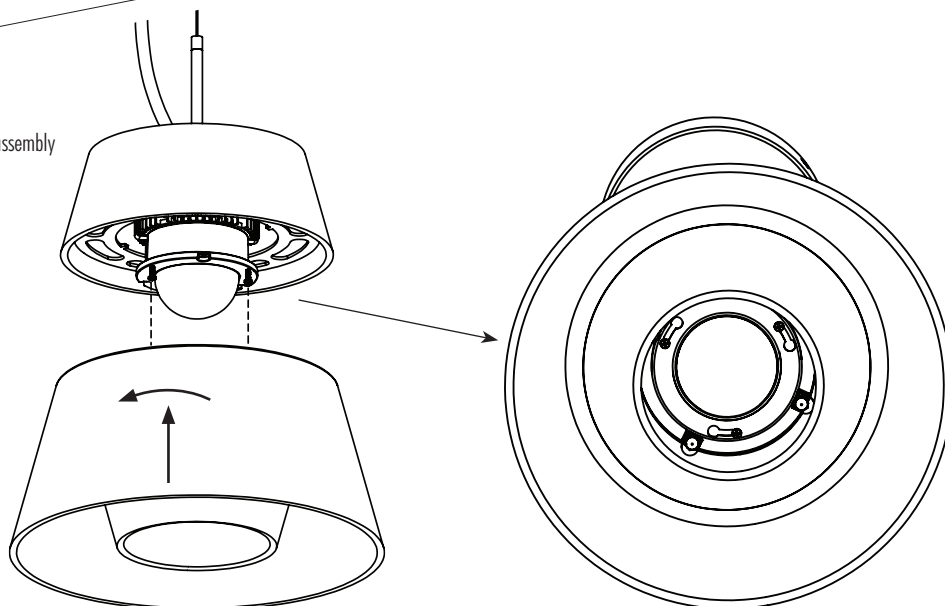
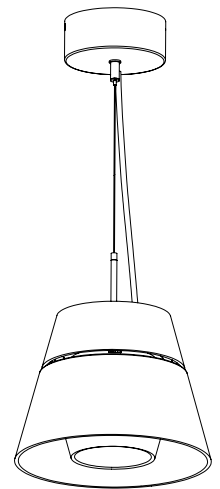
Black = Line voltage  
White = Neutral  
Green = Ground

Red = LED positive  
Blue = LED negative

Dimming (cap if unused)  
Purple = 0-10V  
Gray = 0-10V

### For Models:

KLP312/3, KLP322/3,  
KLP332/3 & KLP342/3



**WARNING: disconnect main power at the source prior to installation!**

*Only qualified electricians should install Delray Lighting products.*

- Read instructions and review diagrams prior to installation.
- Before beginning installation, turn off circuit breaker or remove fuse at fuse box to disconnect power. Turning off a light switch is insufficient to prevent electrical shock.
- All electrical connections must be in compliance with local codes, ordinances and the National Electrical Code. If you are unfamiliar with these methods of electrical wiring installation, secure the services of a qualified, licensed electrician.

**NOTE:** These instructions cannot address all possible conditions and circumstance that may occur during installation. While Delray products conform to the highest quality and safety standards, safe installation also requires caution, common sense, and careful implementation of professional electrical installation methods.

Carefully follow driver wiring diagrams and instructions included with the fixture. Use only cUL Listed wire connectors suitable for the size, type, and number of conductors. No loose wires or wire strands should be remain.

Secure wire connectors with only cUL Listed electrical tape and wire nuts.