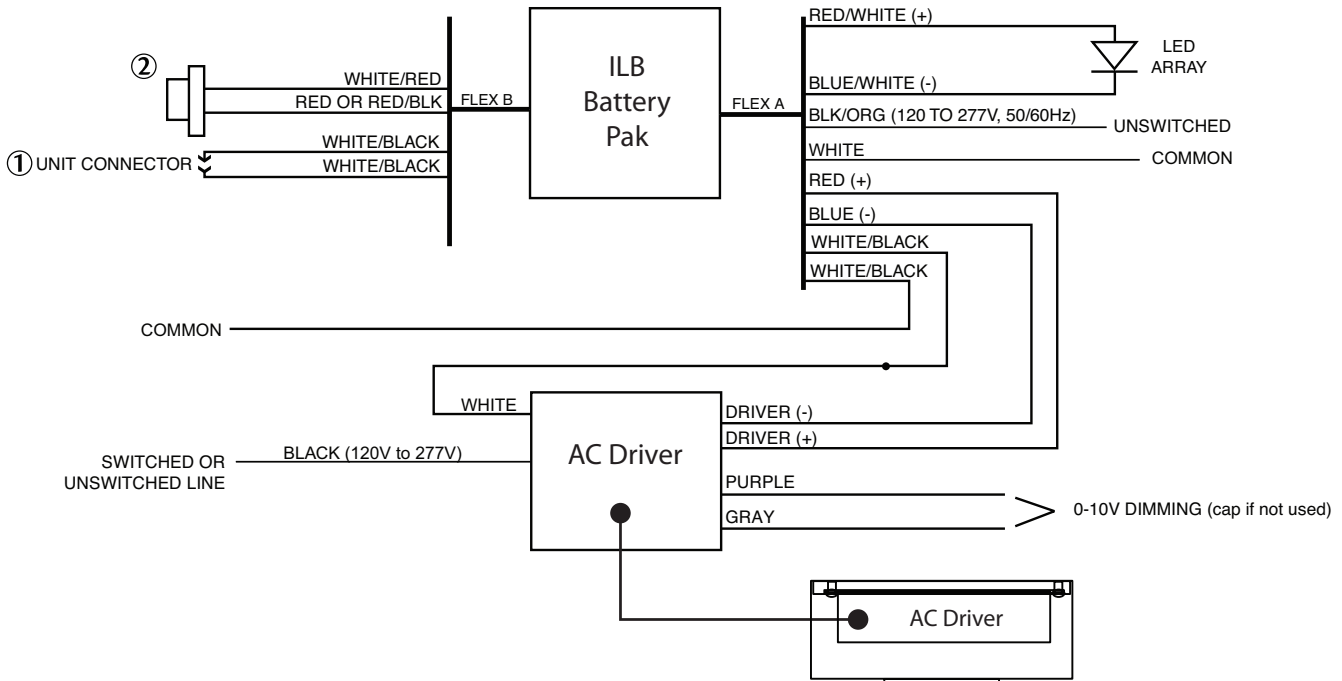


KONE3 LED

Emergency Battery Backup (EM) Wiring Installation ou de montage



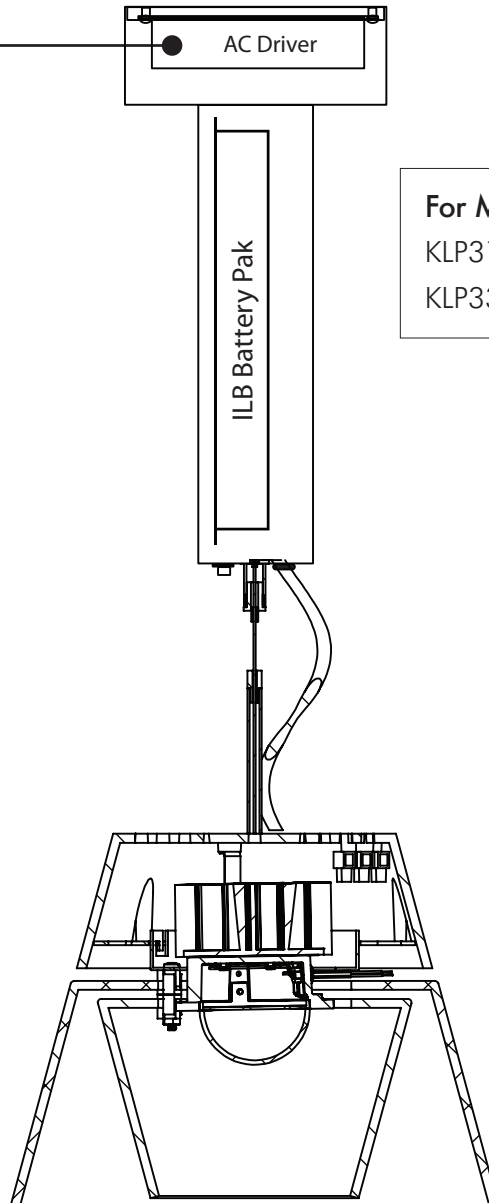
- ① DO NOT MATE CONNECTOR UNTIL INSTALLATION IS COMPLETE AND AC POWER IS SUPPLIED.
- ② TEST ACCESSORY LEADS-OBSERVE PROPER POLARITY WIRING.

WARNING: disconnect main power at the source prior to installation!

Only qualified electricians should install Delray Lighting products.

For Models:

KLP312/3, KLP322/3,
KLP332/3 & KLP342/3



**DELRAY
LIGHTING
INCORPORATED**

A-Line LED

NOV 2015