

Mount

- 1 Mount back plate to J-box.
- 2 Adjust cable length with push button gripper and remove excess.
- 3 Cut power cord to length and use strain relief. Connect canopy to back plate.

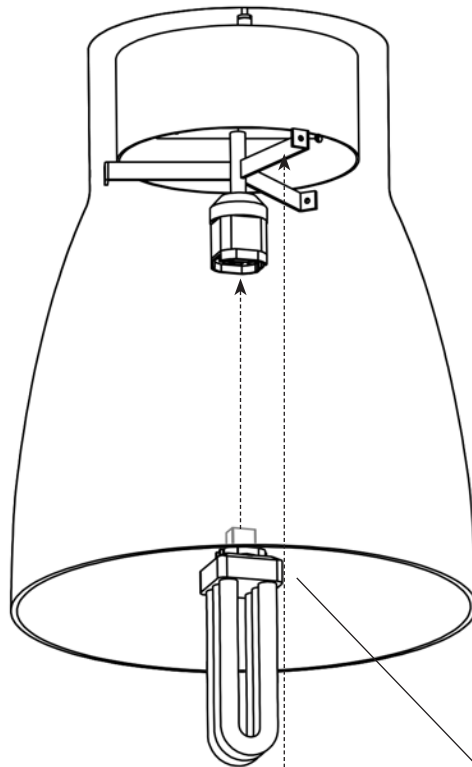
For Models:

6222

6232

WARNING:

Disconnect main power at the source prior to installation! Fixture must be installed by a qualified electrician.



Re-Lamp

1 Lift and turn interior reflector hook assembly to engage 3-point bracket above socket.

2 Remove spent CFL lamp.

Grasp replacement CFL lamp only by plastic base, not glass tubes, which could fracture the glass and trip the ballast end-of-life protector.

