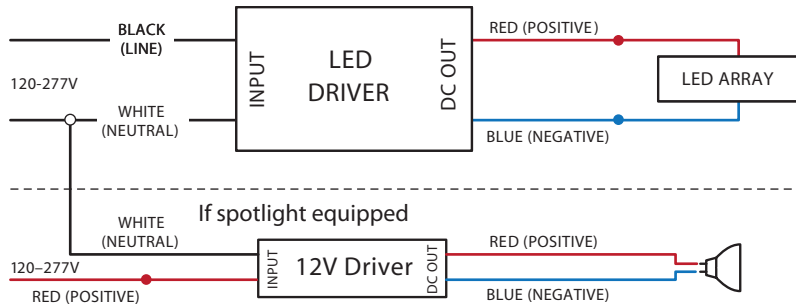
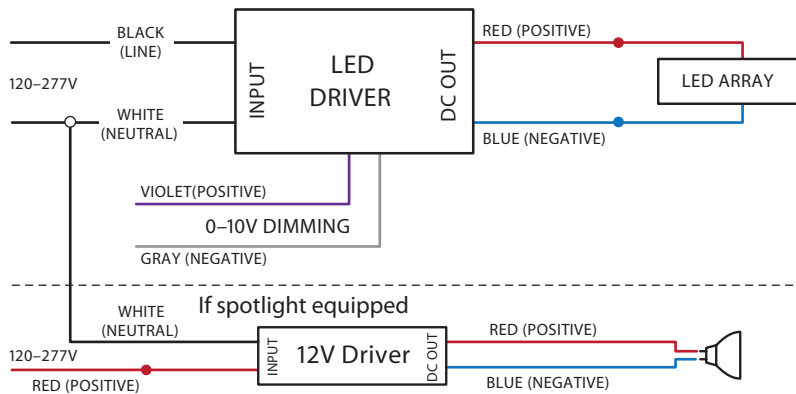


WARNING: Disconnect main power at the source prior to installation! Fixture must be installed by a qualified electrician.

LED Driver Without Dimming



LED Driver With Integrated Dimming



NOTE: When dimming, use low end trim pot, and adjust low end to above flicker threshold.

