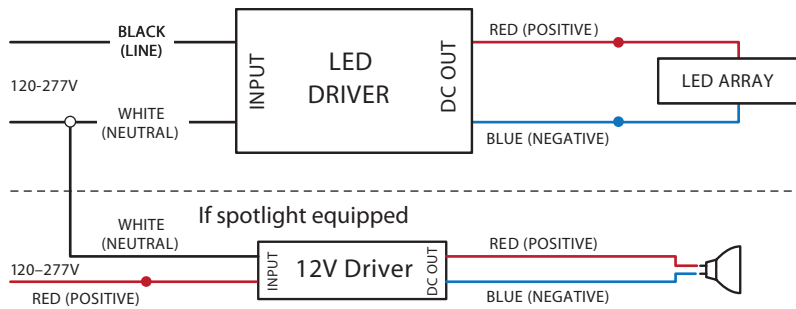


WARNING: Disconnect main power at the source prior to installation! Fixture must be installed by a qualified electrician.

LED Driver Without Dimming



LED Driver With Integrated Dimming

