

# CYLINDRO 6501

## Central Mounting Point Installation

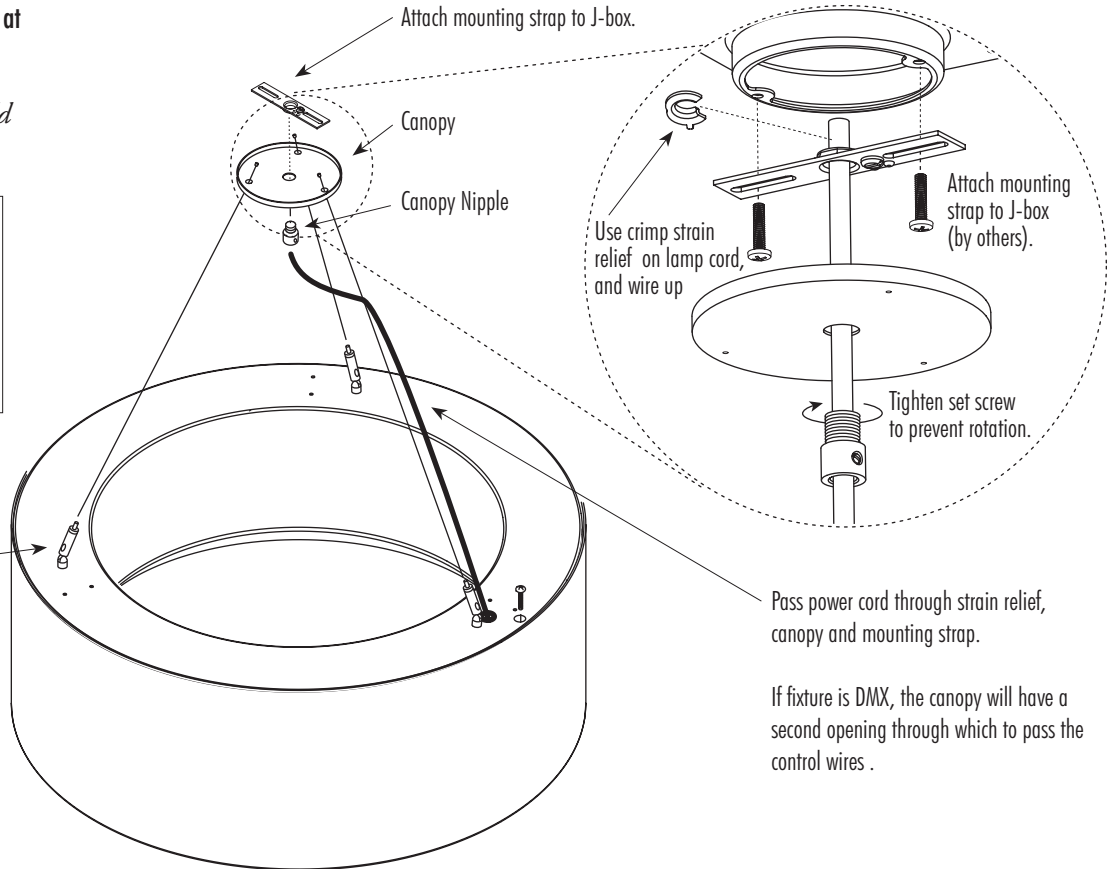
**WARNING:** disconnect main power at the source prior to installation!

Only qualified electricians should install Delray Lighting products.

### DIFFUSER CLEANING

**Warning:** Do not clean with ammonia based cleaners (e.g. Windex®). Use only water or cleaners specifically formulated for cleaning plastics.

Pass cable through cable grippers. Push top to adjust length to final position. Trim excess cable, leave 1" out gripper side.



# CYLINDRO 6502

## Separate Mounting Point Installation

