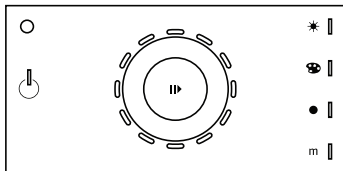


# CYLINDRO II/III

## 1 of 3: Traxon Control Wire Path Installation ou de montage

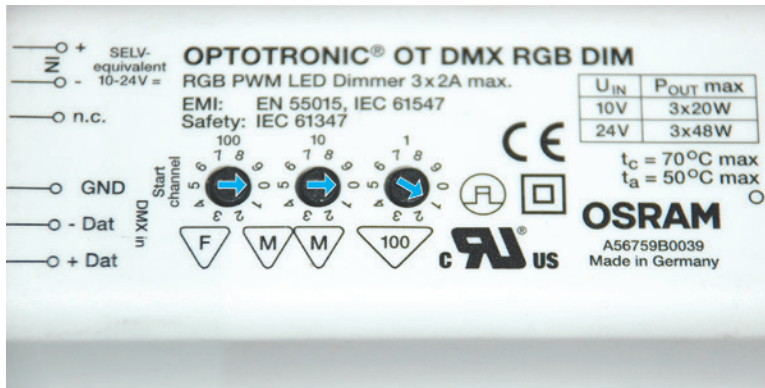
**NOTE:** data cable should not be run internally, next to — nor externally, parallel to — electrical conduit, as doing so may cause the fixture to malfunction.

### Traxon DMX controller

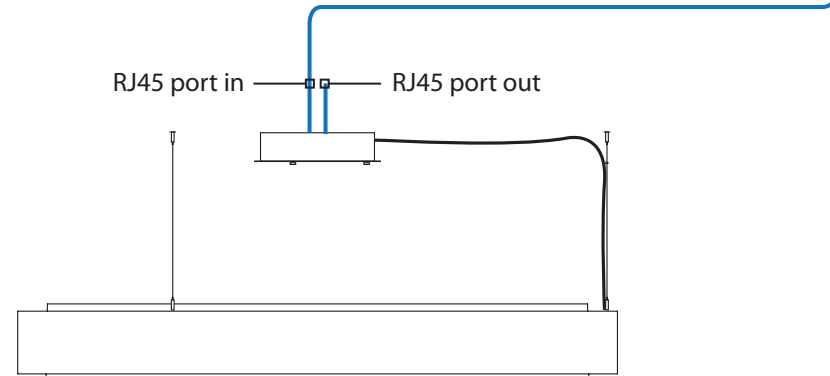
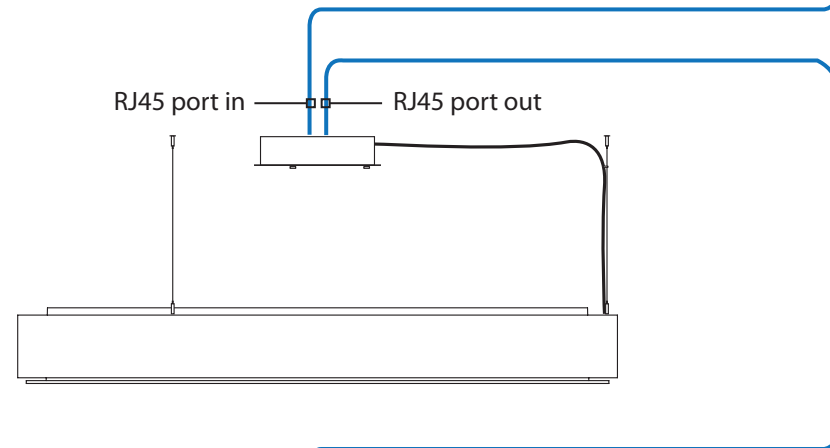
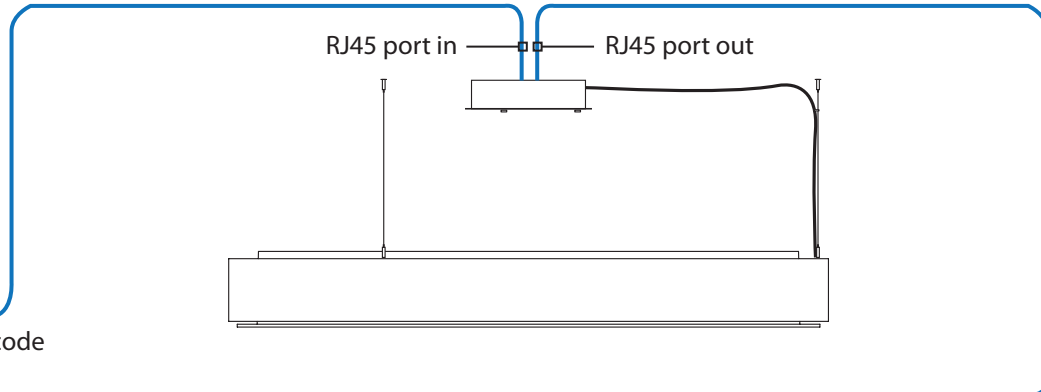


CAT5e or CAT6 cable, 568B color code

Cylindro II & III fixtures are prewired to accept CAT5e cable. Up to 31 fixtures may be controlled in a single zone. The control wire (CAT5e cable) must daisy chain to each driver housing for proper control.

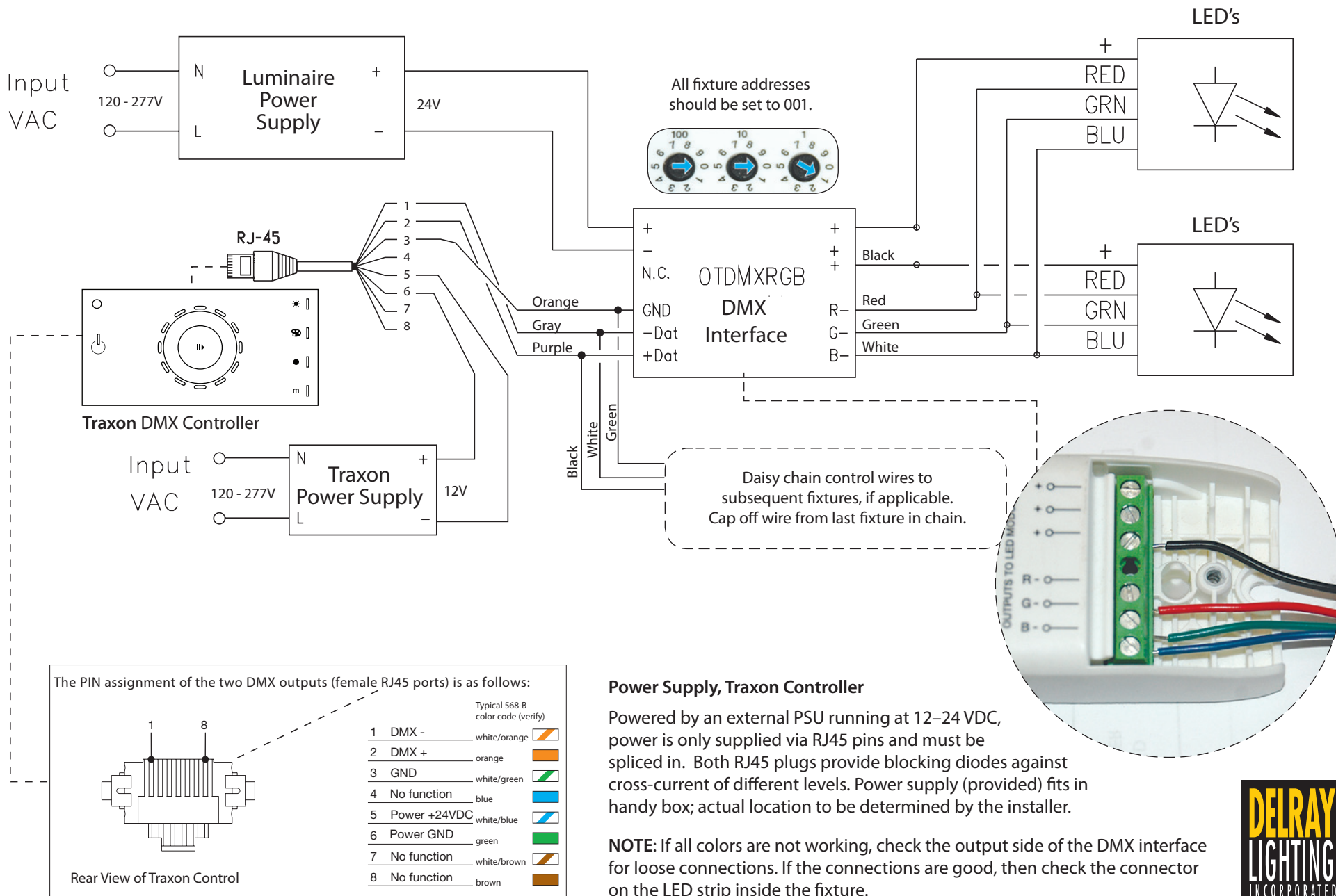


For proper operation, confirm that the interface PWM dials remain on the factory preset of channel 1 (001), on all control interfaces, in all fixture driver housings connected to the Traxon controller.



# CYLINDRO II/III

## 2 of 3: Traxon RGB LED Wiring Installation ou de montage



### Power Supply, Traxon Controller

Powered by an external PSU running at 12–24 VDC, power is only supplied via RJ45 pins and must be spliced in. Both RJ45 plugs provide blocking diodes against cross-current of different levels. Power supply (provided) fits in handy box; actual location to be determined by the installer.

**NOTE:** If all colors are not working, check the output side of the DMX interface for loose connections. If the connections are good, then check the connector on the LED strip inside the fixture.

