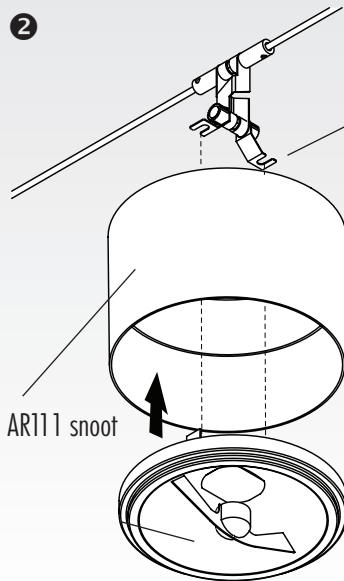
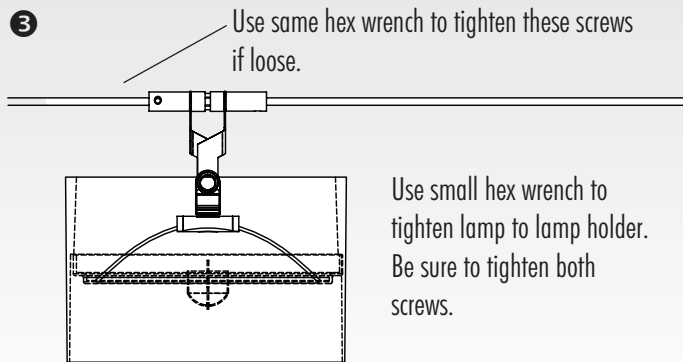


1
Install Cyldro fixture first.
 Do not install BMR16 spotlight until the Cyldro fixture is hanging in its final position.



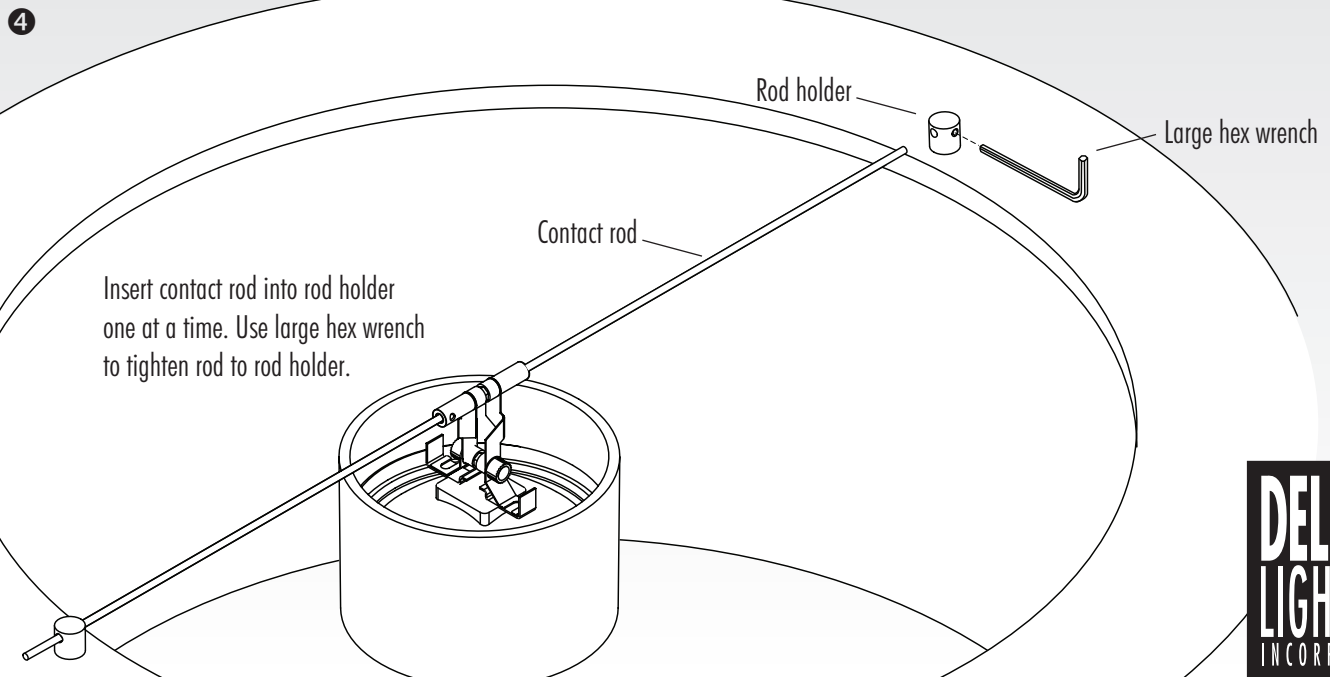
2
 Lamp holder
 Unpack BAR111 with two hex wrenches, and AR111 snout. Insert lamp into bottom of snout and hold in place with lamp contacts in lamp holder.
 AR111 snout
 50W max MR16 lamp (not supplied)



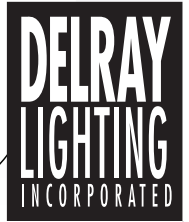
3
 Use same hex wrench to tighten these screws if loose.
 Use small hex wrench to tighten lamp to lamp holder. Be sure to tighten both screws.

WARNING: RISK of ELECTRIC SHOCK

Do not install in fixture with power on. Never allow suspension cables to touch BAR111 contact rods or rod holder. Do not use AR111 lamp of more than 50 watts. BAR111 should be installed only after the Cyldro fixture is suspended in its final position.



4
 Insert contact rod into rod holder one at a time. Use large hex wrench to tighten rod to rod holder.



WARNING Risk of fire or electric shock. Only qualified, licensed electricians should install Delray Lighting products.

1. Read and review all instructions and diagrams prior to installation.
2. Disconnect power prior to installation. Turn off circuit breaker or remove fuse from fuse panel. (Turning off the light switch is insufficient to safeguard against electric shock.)
3. Electrical connections must conform to local codes and ordinances, or the National Electrical Code.

4. Wire the luminaire following the wiring diagram on the ballast, or inside the box. Use UL listed wire connectors suitable for the size, type, and number of conductors. No loose strands or wires should be present. Secure wire connectors with UL listed electrical tape and wire nuts.
5. Install lamps (not included). Do not exceed recommended wattage.
6. Restore electricity and test fixture.

NOTE: These safeguards and instructions are not intended to cover all possible conditions and circumstances. Proceed with caution; utilizing established professional electrical installation methods, tools, and supplies.