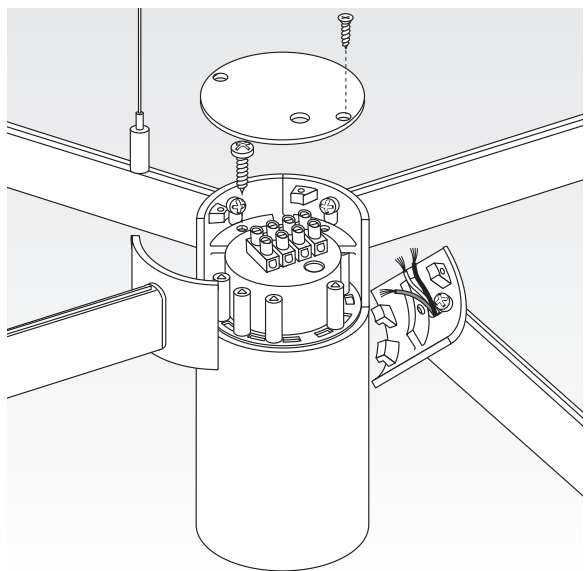
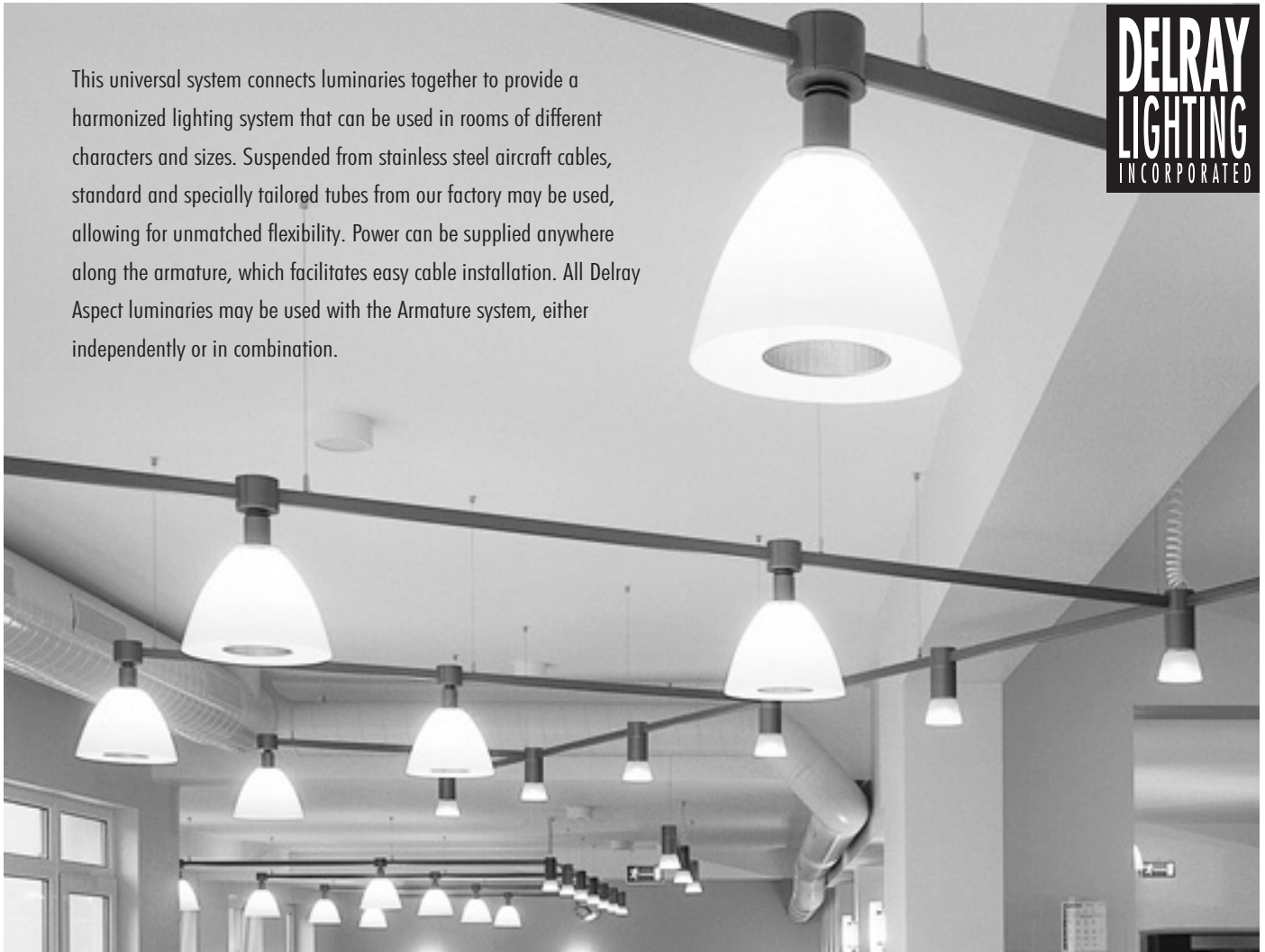
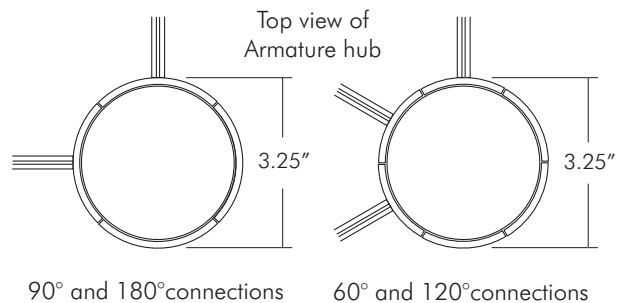
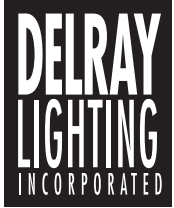


This universal system connects luminaires together to provide a harmonized lighting system that can be used in rooms of different characters and sizes. Suspended from stainless steel aircraft cables, standard and specially tailored tubes from our factory may be used, allowing for unmatched flexibility. Power can be supplied anywhere along the armature, which facilitates easy cable installation. All Delray Aspect luminaires may be used with the Armature system, either independently or in combination.



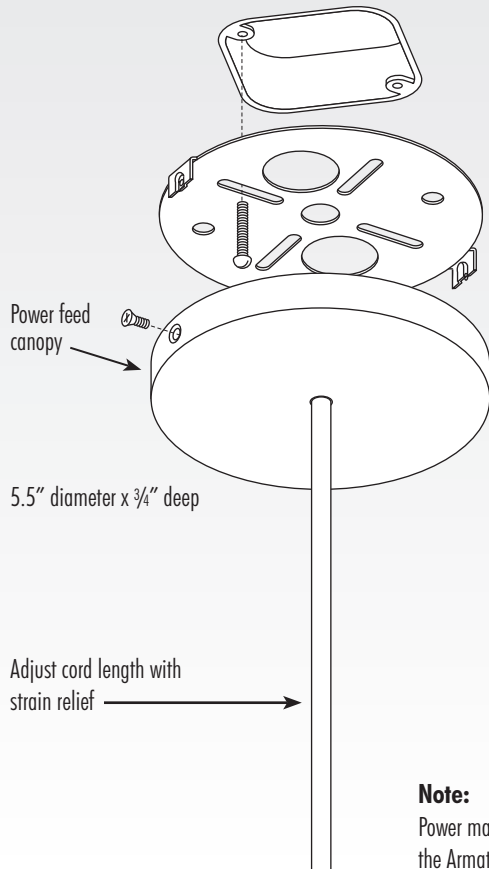
Each Armature extrusion has a maximum length of ten feet between hubs. However, there's no limit to how long an Armature system can be. Up to 3 circuits may be used in an Armature system. Armature extrusions may be cut at the job sight, wires pulled through as needed. Each fixture has its own hub. However, hubs may be used without fixtures while making joints. Hubs are either 4-sided for 90° and 180° connections, or 6-sided for 60° and 120° connections.



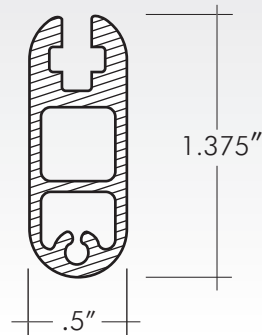


Please consult with Delray to order custom armature system layouts. Extensions will be cut to exact size and bent to the desired radius.

Mounts to standard octagonal box



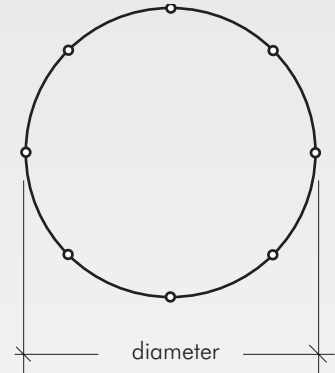
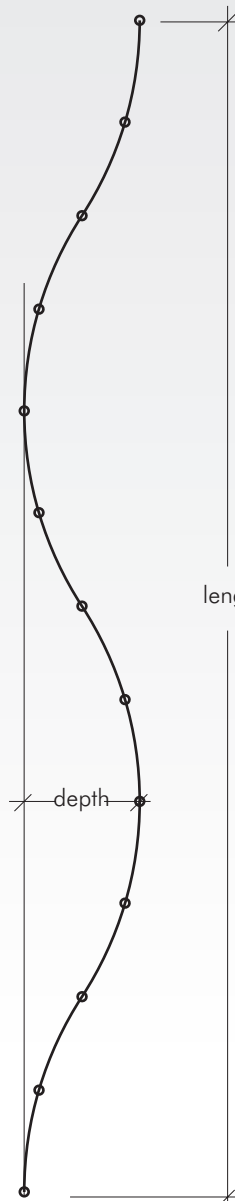
### Armature cross section



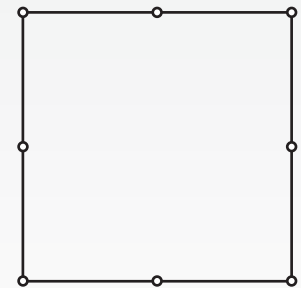
### Possible Armature Layouts

Serpentine

Circle



Square or Rectangle



Triangle

