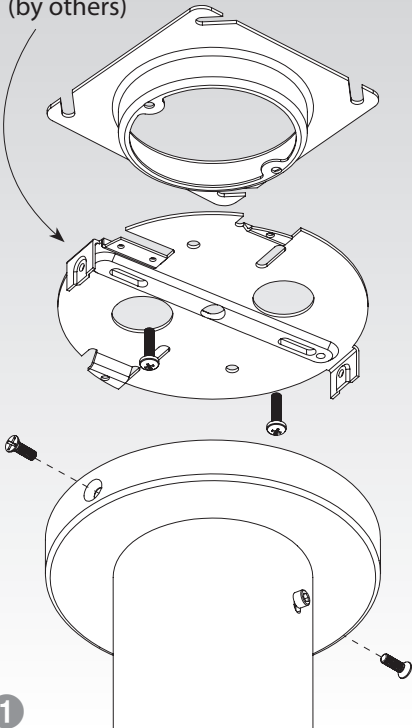


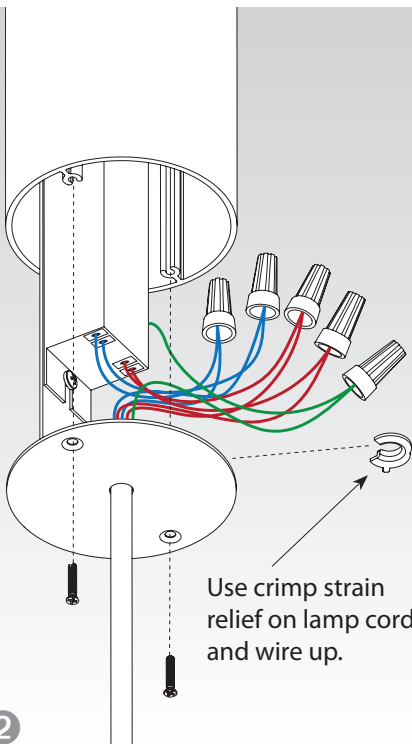
# 6300-4" T5

## 4" Standard Fluorescent Pendant

Attach backplate to mud ring/J-box (by others)



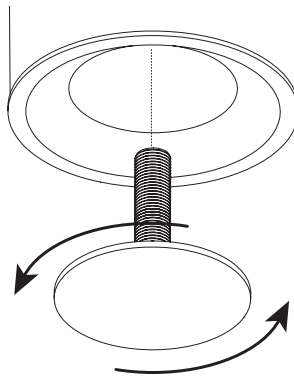
1



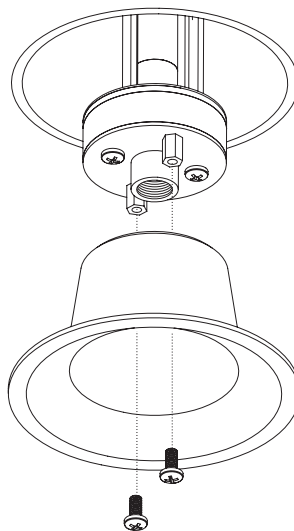
2

Use crimp strain relief on lamp cord and wire up.

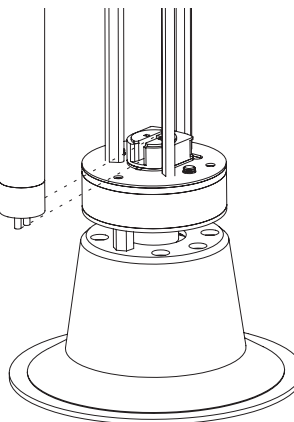
① Remove bottom cap for relamping (without downlight option).



② Remove 2 cone retainer screws to slide diffuser tube out of way for relamping.



③ Align both top and bottom lamp socket rotators with slot. Fully insert T5 lamp and twist 90°.



### WIRING, PRIMARY SIDE

#### NON-DIMMING

**No downlight:**  
Black = Hot  
White = Neutral  
Green = Ground

**With downlight:**  
Black = Hot  
White = Neutral  
Red = DL\* Hot  
Green = Ground

#### DIMMING

**No downlight:**  
Black = Hot  
White = Neutral  
Green = Ground  
Purple = Dim + 10V  
Gray = Dim - 10V  
Orange† = Dim Hot  
Fluorescent

**With downlight:**  
Black = Hot  
White = Neutral  
Green = Ground  
Red = DL\* Hot  
Purple = Dim + 10V  
Gray = Dim - 10V  
Orange† = Dim Hot  
Fluorescent

\*DL=downlight  
† if applicable

### WIRING, SECONDARY SIDE

#### No downlight:

Cord	Ballast
Blue	= Blue
Blue/Wht	= Blue
Red	= Red
Red/Wht	= Red
Green	= Ground

#### With downlight:

Cord	Ballast
Black	= Blue
White	= Blue
Orange	= Red
Red	= Red
Green	= Ground

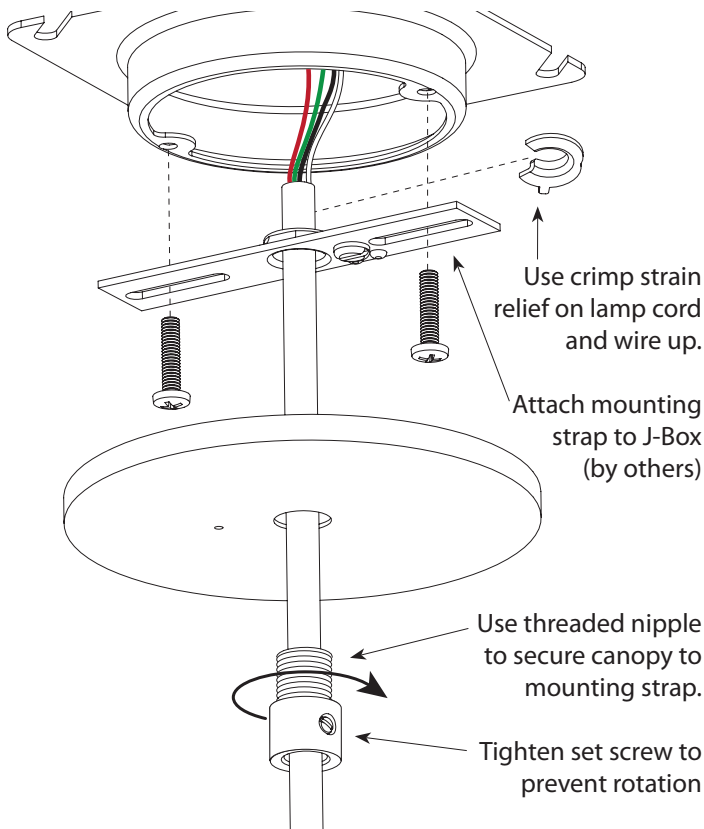
	Driver
Purple	= 12V +
Gray	= 12V-

Use only 12V LED MR16 lamp rated for no more than 12 watts

**WARNING:** Disconnect main power at the source prior to installation! Fixture must be installed by a qualified electrician.

# 6300-6" T5

# 6" Standard Pendant



## WIRING PRIMARY SIDE

### NON-DIMMING

#### 3-Conductor Cord:

Black = Hot  
White = Neutral  
Green = Ground

#### With downlight

#### 4-Conductor Cord:

Black = Hot  
White = Neutral  
Red = DL\* Hot  
Green = Ground

### 0-10V DIMMING

#### 5-Conductor Cord:

Black = Hot  
White = Neutral  
Green = Ground  
Purple = Dim +  
Gray = Dim -

#### With downlight

#### 7-Conductor Cord:

Black = Hot  
White = Neutral  
Green = Ground  
Red = DL\* Hot  
Orange† = EM  
Purple = Dim +  
Gray = Dim -

EM = unswitched line emergency (optional)

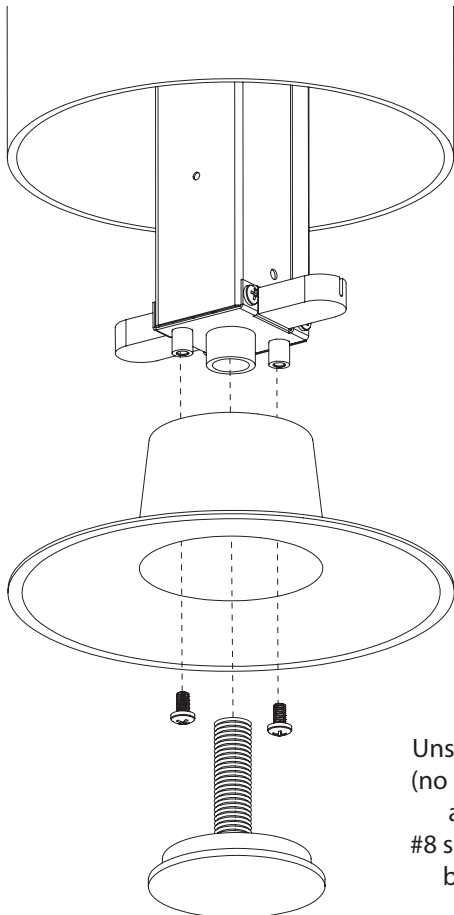
### EcoSystem DIMMING

#### 7-Conductor Cord:

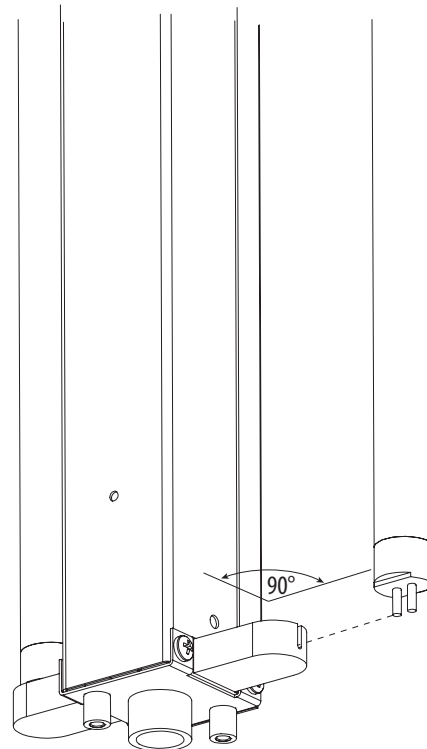
Black = Hot  
White = Neutral  
Green = Ground  
Red† = DL\* hot / EM  
Orange = Dim hot  
Purple = Dim +  
Gray = Dim -

\*DL = downlight

† cap off lead if no DL or EM



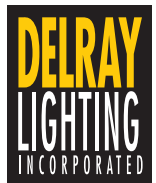
Unscrew center cap (no downlight only) and remove two #8 screws to release bottom cover for relamping.



Insert T5 lamp and rotate 90° to secure.

### WARNING:

Disconnect main power at the source prior to installation! Fixture must be installed by a qualified electrician.



JAN 2013