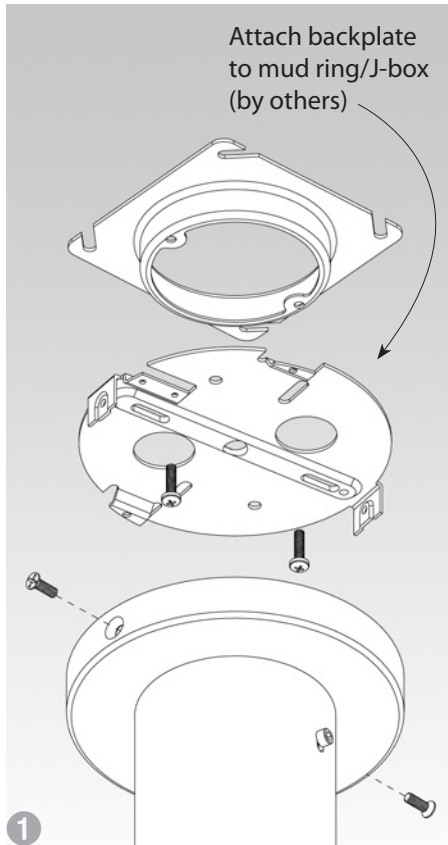


# 6300-4" & 6" LED

## Standard Pendant Installation ou de montage

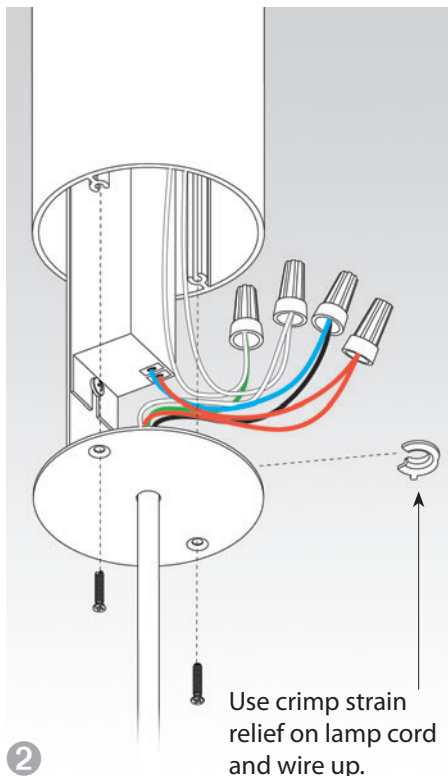
### WARNING:

Disconnect main power at the source prior to installation! Fixture must be installed by a qualified electrician.



Attach backplate to mud ring/J-box (by others)

1



Use crimp strain relief on lamp cord and wire up.

2

### WIRING

#### PRIMARY SIDE

##### No downlight:

Black = Hot  
White = Neutral  
Green = Ground

##### With downlight\*:

Black = Hot  
White = Neutral  
Red = DL\*\* Hot  
Green = Ground

##### 0-10V dimming:

Purple = 10V+  
Gray = 10V-

#### PRIMARY SIDE, DMX ONLY

##### No downlight:

Black = Hot  
White = Neutral  
Green = Ground  
Purple = DMX+  
Gray = DMX-  
Orange = DMX ground

##### With downlight\*:

Black = Hot  
White = Neutral  
Red = DL\*\* Hot  
Green = Ground  
Purple = DMX+  
Gray = DMX-  
Orange = DMX ground

#### SECONDARY SIDE

##### No downlight:

<b>Cord</b>	<b>Driver</b>
Red = 24V+	
Black = 24V-	
White = N/A	
Green = N/A	

##### With downlight\*:

<b>Cord</b>	<b>Driver</b>
Red = 24V+	
Black = 24V-	
White = 12V+	
Green = 12V-	

#### SECONDARY SIDE, RGB ONLY

##### No downlight:

<b>Cord</b>	<b>Driver</b>
Red = Red	
Black = Black	
White = White	
Green = Green	

##### With downlight\*:

<b>Cord</b>	<b>Driver</b>
Red = Red	
Black = Black	
White = White	
Green = Green	
Purple = Purple	
Gray = Gray	
Orange = N/A	

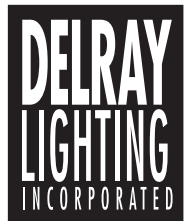
**NOTE:** multiple drivers must be mounted no less than 4 inches apart side-by-side, and 1 inch apart end-to-end, to avoid overheating.

Max. Wiring Distance (at full load)

Wire Size (AWG)	Distance (ft.)
18	18
16	29
14	46
12	71
10	120

\*Use 12V LED MR16 only, 9W maximum

\*\*DL = Downlight

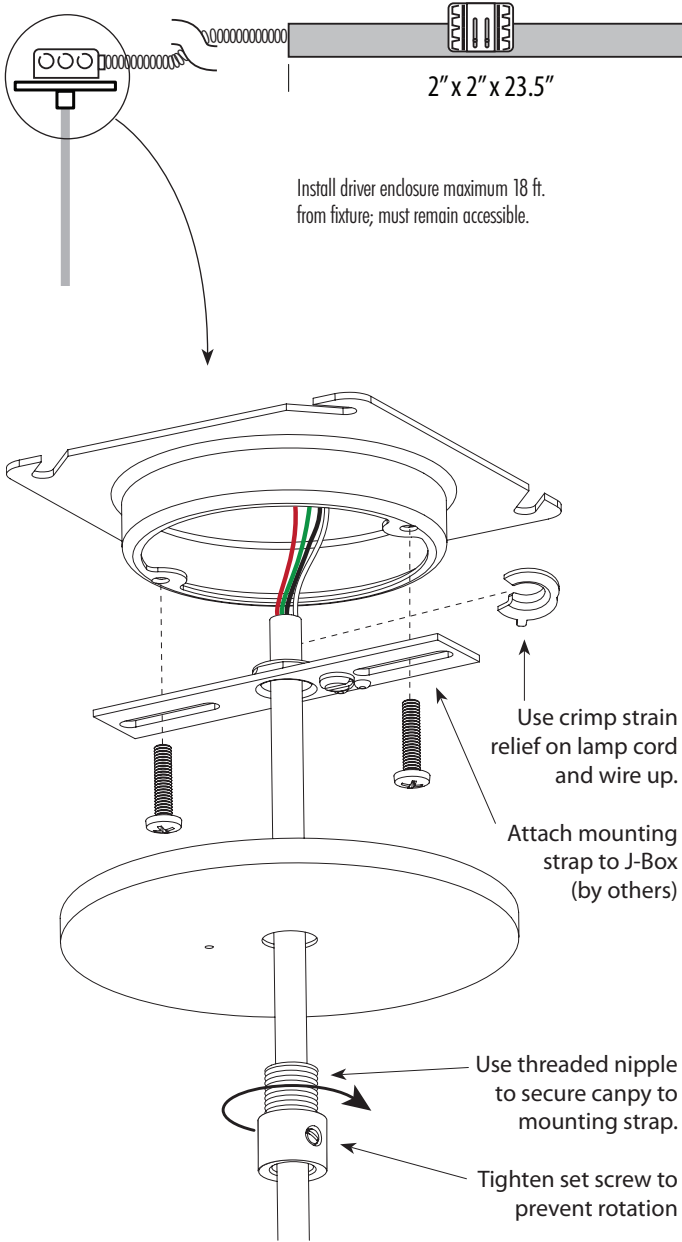


# 6300-4" & 6" LED

## Remote Driver Install Installation ou de montage

### WARNING:

Disconnect main power at the source prior to installation! Fixture must be installed by a qualified electrician.



### WIRING

#### PRIMARY SIDE

##### No dimmable:

Black = Hot  
White = Neutral  
Green = Ground

##### With dimmable\*:

Black = Hot  
White = Neutral  
Red = DL\*\* Hot  
Green = Ground

##### 0-10V dimming:

Purple = 10V+  
Gray = 10V-

#### SECONDARY SIDE

##### No dimmable:

Cord	Driver
Red	= 24V+
Black	= 24V-
White	= N/A
Green	= N/A

##### With dimmable\*:

Cord	Driver
Red	= 24V+
Black	= 24V-
White	= 12V+
Green	= 12V-

\*Use 12V LED MR16 only, 9W maximum

\*\*DL = Dimmable

#### PRIMARY SIDE, DMX ONLY

##### No dimmable:

Black = Hot  
White = Neutral  
Green = Ground  
Purple = DMX+  
Gray = DMX-  
Orange = DMX ground

##### With dimmable\*:

Black = Hot  
White = Neutral  
Red = DL\*\* Hot  
Green = Ground  
Purple = DMX+  
Gray = DMX-  
Orange = DMX ground

#### SECONDARY SIDE, RGB ONLY

##### No dimmable:

Cord	Driver
Red	= Red
Black	= Black
White	= White
Green	= Green

##### With dimmable\*:

Cord	Driver
Red	= Red
Black	= Black
White	= White
Green	= Green
Purple	= Purple
Gray	= Gray
Orange	= N/A

**NOTE:** multiple drivers must be mounted no less than 4 inches apart side-by-side, and 1 inch apart end-to-end, to avoid overheating.

Max. Wiring Distance (at full load)

Wire Size (AWG)	Distance (ft.)
18	18
16	29
14	46
12	71
10	120

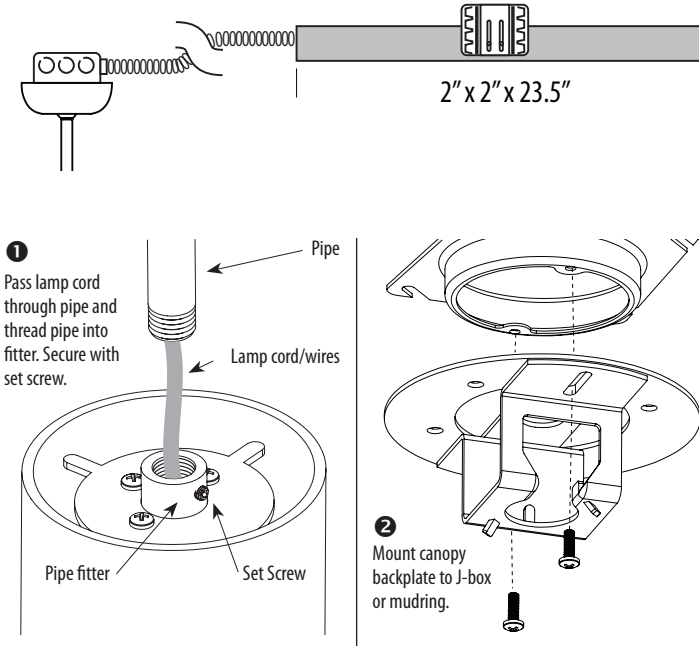
# 6300-4" & 6" LED

## Remote Driver Install w/ Ball Aligner Installation ou de montage

### WARNING:

Disconnect main power at the source prior to installation! Fixture must be installed by a qualified electrician.

### WIRING



#### PRIMARY SIDE

##### No downlight:

Black = Hot  
White = Neutral  
Green = Ground

##### With downlight\*:

Black = Hot  
White = Neutral  
Red = DL\*\* Hot  
Green = Ground

##### 0-10V dimming:

Purple = 10V+  
Gray = 10V-

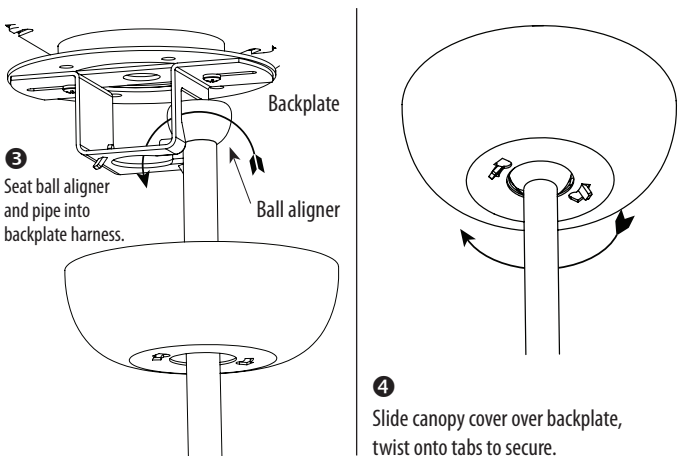
#### PRIMARY SIDE, DMX ONLY

##### No downlight:

Black = Hot  
White = Neutral  
Green = Ground  
Purple = DMX+  
Gray = DMX-  
Orange = DMX ground

##### With downlight\*:

Black = Hot  
White = Neutral  
Red = DL\*\* Hot  
Green = Ground  
Purple = DMX+  
Gray = DMX-  
Orange = DMX ground



#### SECONDARY SIDE

##### No downlight:

Cord	Driver
Red	= 24V+
Black	= 24V-
White	= N/A
Green	= N/A

##### With downlight\*:

Cord	Driver
Red	= 24V+
Black	= 24V-
White	= 12V+
Green	= 12V-

\*Use 12V LED MR16 only, 9W maximum

\*\*DL= Downlight

#### SECONDARY SIDE, RGB ONLY

##### No downlight:

Cord	Driver
Red	= Red
Black	= Black
White	= White
Green	= Green

##### With downlight\*:

Cord	Driver
Red	= Red
Black	= Black
White	= White
Green	= Green
Purple	= Purple
Gray	= Gray
Orange	= N/A

**NOTE:** multiple drivers must be mounted no less than 4 inches apart side-by-side, and 1 inch apart end-to-end, to avoid overheating.

Max. Wiring Distance (at full load)

Wire Size (AWG)	Distance (ft.)
18	18
16	29
14	46
12	71
10	120

**WARNING** Risk of fire or electric shock. Only qualified, licensed electricians should install Delray Lighting products.

1. Read and review all instructions and diagrams prior to installation.
2. Disconnect power prior to installation. Turn off circuit breaker or remove fuse from fuse panel. (Turning off the light switch is insufficient to safeguard against electric shock.)
3. Electrical connections must conform to local codes and ordinances, or the National Electrical Code.

4. Wire the luminaire following the wiring diagram on the ballast, or inside the box. Use UL listed wire connectors suitable for the size, type, and number of conductors. No loose strands or wires should be present. Secure wire connectors with UL listed electrical tape and wire nuts.
5. Install lamps (not included). Do not exceed recommended wattage.
6. Restore electricity and test fixture.

NOTE: These safeguards and instructions are not intended to cover all possible conditions and circumstances. Proceed with caution; utilizing established professional electrical installation methods, tools, and supplies.